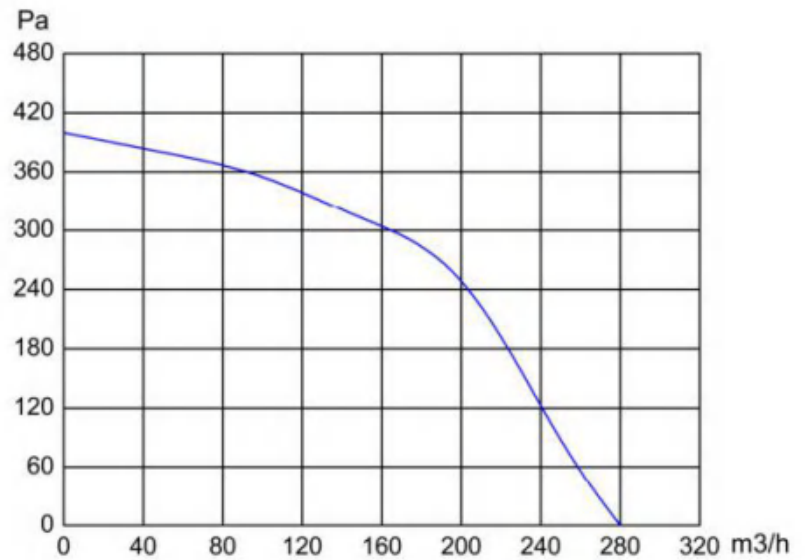


## EC CENTRIFUGAL FAN

LWBE3G133-072


**Motor Type :** BLEC Motor

**Impeller Material :** Propylene with Glass-Fiber

**Protection Class :** IP44

**Insulation Class :** F

**Certification :** CE/ETL/CCC

**Operation Temperature :** - 25 °C ~ +60 °C

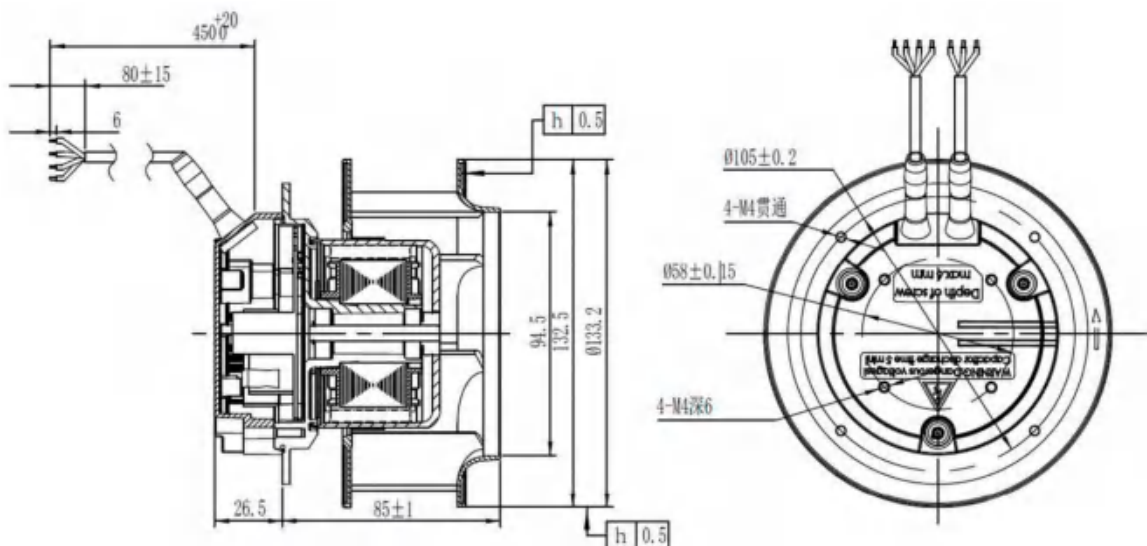
**Bearing Type :** Ball Bearing

**Technical Feature :**

 Control input 0~10VDC/PWM ,Tech output,Locked-Rotor protection ,  
 Reverse Polarity ,Over-voltage protection  
 Soft Start Protection,

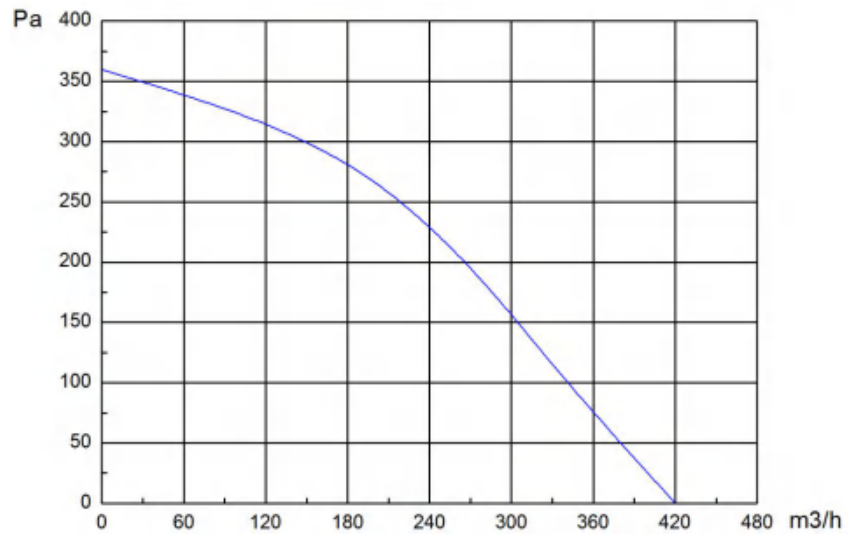
## ■ Technical Specification

Model	Bearing Type	Rated Voltage	Operating Voltage	Rated Current	Rated Power	Speed	Air Flow	Air Pressure	Noise
	B/S	V	V	A	W	RPM	m³/h	Pa	dB(A)
LWBE3G133-072NS-001	Ball	230	200-277	0.35	45	4480	270	400	73



## EC CENTRIFUGAL FAN

LWBE3G155-072


**Motor Type :** BLEC Motor

**Impeller Material :** Propylene with Glass-Fiber

**Protection Class :** IP44

**Insulation Class :** F

**Certification :** CE/ETL/CCC

**Operation Temperature :** - 25 °C ~ +60 °C

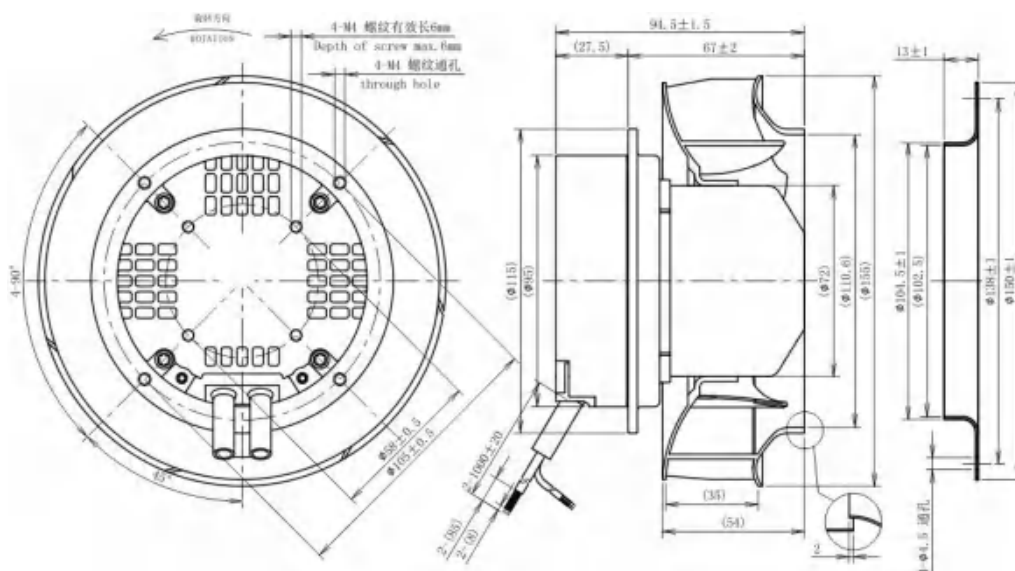
**Bearing Type :** Ball Bearing

**Technical Feature :**

 Control input 0~10VDC/PWM ,Tech output,Locked-Rotor protection ,  
 Reverse Polarity ,Over-voltage protection  
 Soft Start Protection,

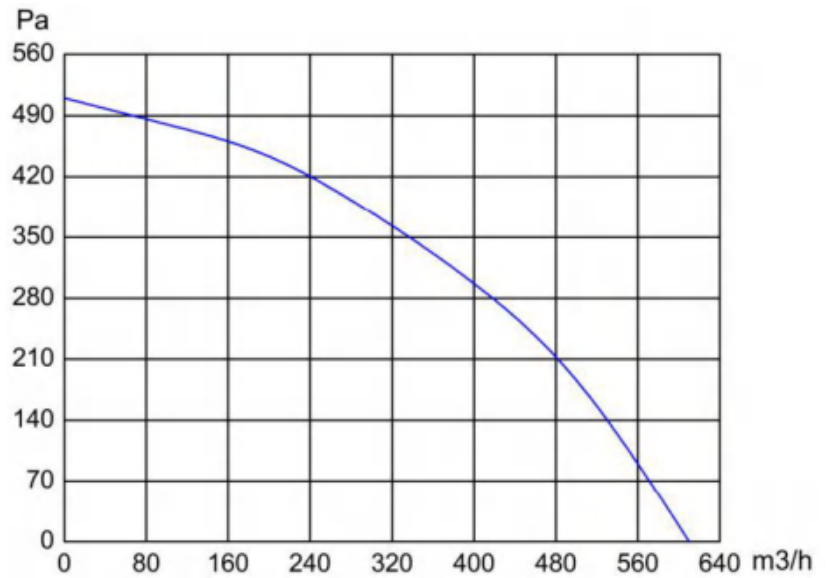
## ■ Technical Specification

Model	Bearing Type	Rated Voltage	Operating Voltage	Rated Current	Rated Power	Speed	Air Flow	Air Pressure	Noise
	B/S	V	V	A	W	RPM	m³/h	Pa	dB(A)
LWBE3G155-072NS-001	Ball	230	200-277	0.3	40	3570	420	370	63



## EC CENTRIFUGAL FAN

LWBE3G175-072


**Motor Type :** BLEC Motor

**Impeller Material :** Propylene with Glass-Fiber

**Protection Class :** IP44

**Insulation Class :** F

**Certification :** CE/ETL/CCC

**Operation Temperature :** - 25 °C ~ +60 °C

**Bearing Type :** Ball Bearing

**Technical Feature :**

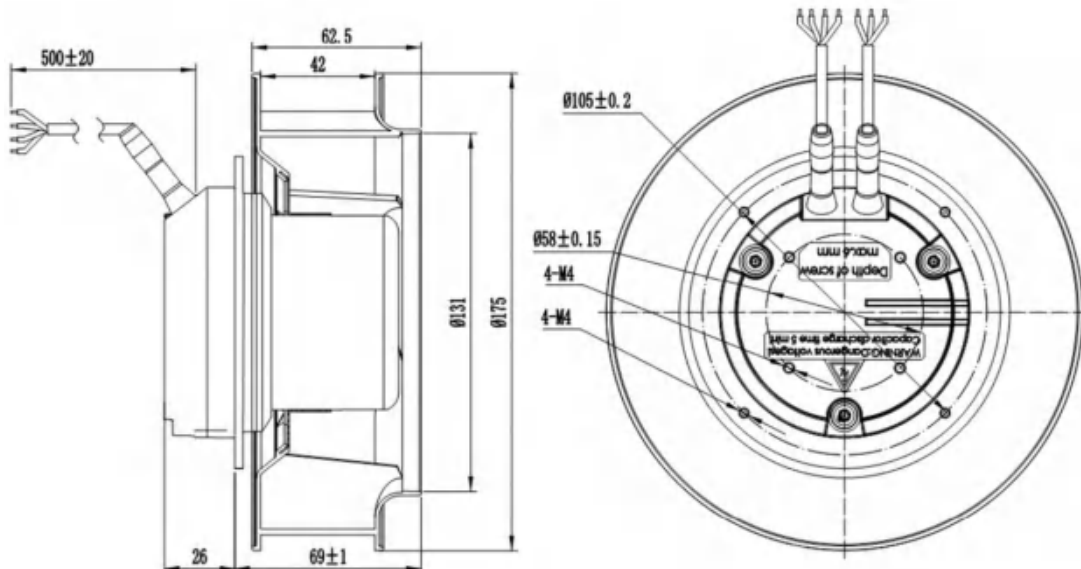
Control input 0~10VDC/PWM ,Tech output,Locked-Rotor protection ,

Reverse Polarity ,Over-voltage protection

Soft Start Protection,

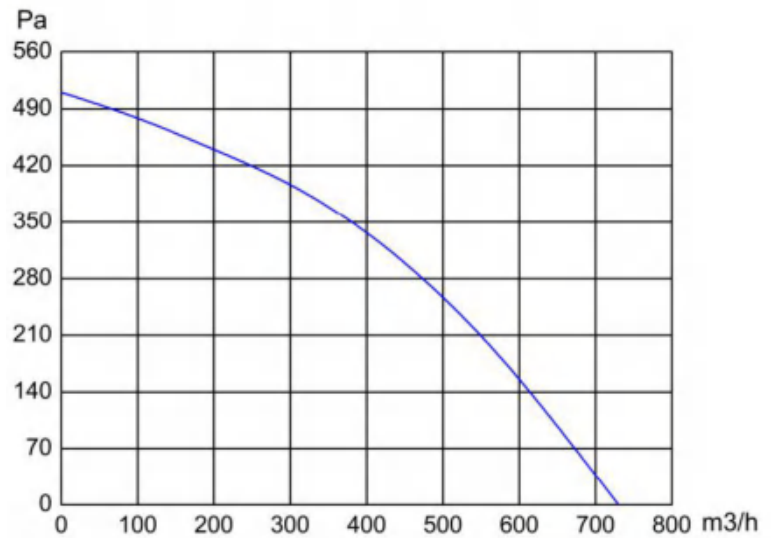
## ■ Technical Specification

Model	Bearing Type	Rated Voltage	Operating Voltage	Rated Current	Rated Power	Speed	Air Flow	Air Pressure	Noise
	B/S	V	V	A	W	RPM	m³/h	Pa	dBA
LWBE3G175-072NS-001	Ball	230	200-277	0.6	78	4070	660	510	73



## EC CENTRIFUGAL FAN

LWBE3G190-072


**Motor Type :** BLEC Motor

**Impeller Material :** Propylene with Glass-Fiber

**Protection Class :** IP44

**Insulation Class :** F

**Certification :** CE/ETL/CCC

**Operation Temperature :** - 25 °C ~ +60 °C

**Bearing Type :** Ball Bearing

**Technical Feature :**

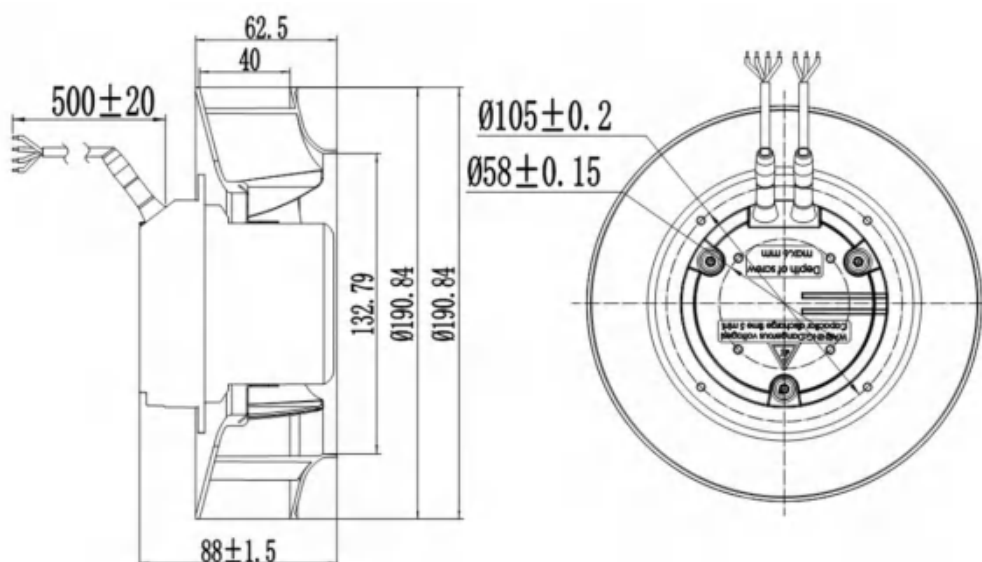
Control input 0~10VDC/PWM ,Tech output,Locked-Rotor protection ,

Reverse Polarity ,Over-voltage protection

Soft Start Protection,

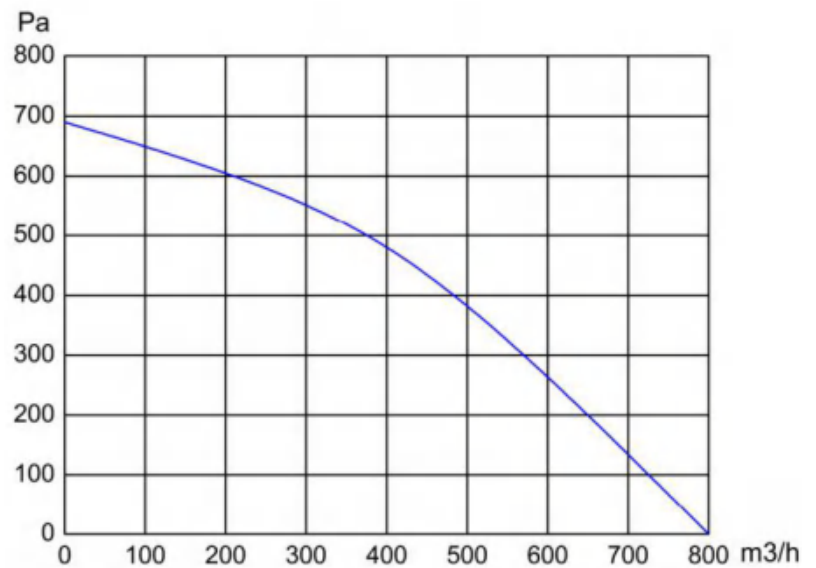
## ■ Technical Specification

Model	Bearing Type	Rated Voltage	Operating Voltage	Rated Current	Rated Power	Speed	Air Flow	Air Pressure	Noise
	B/S	V	V	A	W	RPM	m³/h	Pa	dB(A)
LWBE3G190-072NS-001	Ball	230	200-277	0.56	73	3320	722	510	70



## EC CENTRIFUGAL FAN

LWBE3G190-092


**Motor Type :** BLEC Motor

**Impeller Material :** Propylene with Glass-Fiber

**Protection Class :** IP44

**Insulation Class :** F

**Certification :** CE/ETL/CCC

**Operation Temperature :** - 25 °C ~ +60 °C

**Bearing Type :** Ball Bearing

**Technical Feature :**

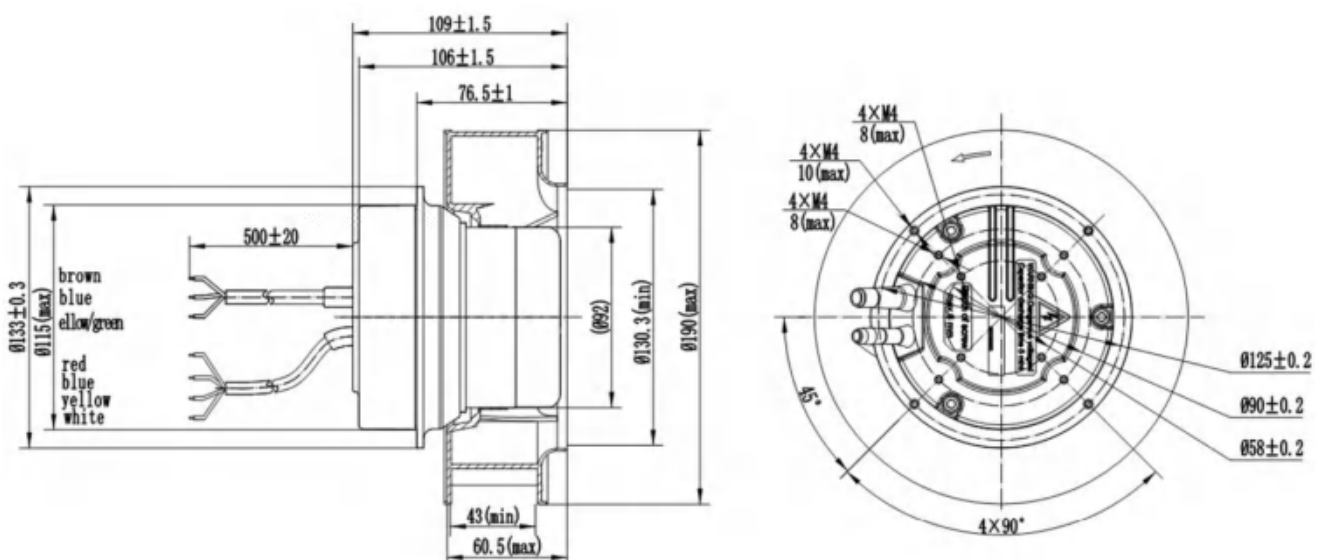
Control input 0~10VDC/PWM ,Tech output,Locked-Rotor protection ,

Reverse Polarity ,Over-voltage protection

Soft Start Protection,

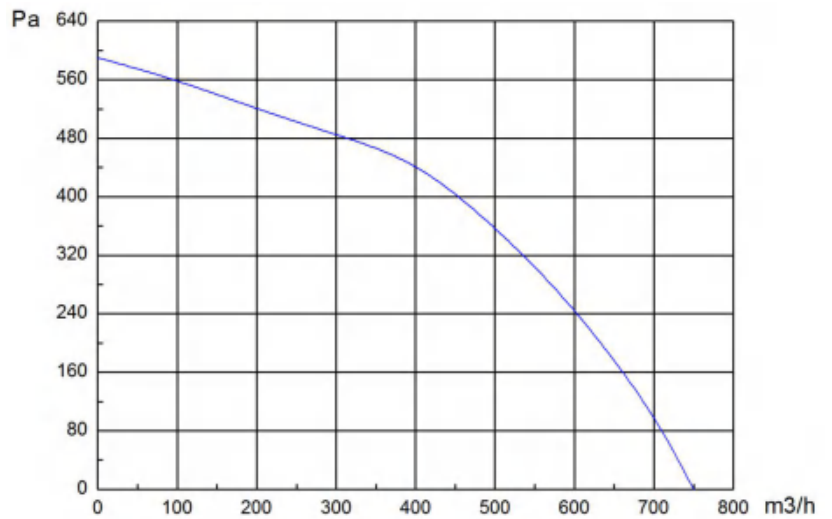
## ■ Technical Specification

Model	Bearing Type	Rated Voltage	Operating Voltage	Rated Current	Rated Power	Speed	Air Flow	Air Pressure	Noise
	B/S	V	V	A	W	RPM	m³/h	Pa	dB(A)
LWBE3G190-092NS-002	Ball	230	200-277	1.18	149	4050	782	690	78



## EC CENTRIFUGAL FAN

LWBE3G190-072


**Motor Type :** BLEC Motor

**Impeller Material :** Propylene with Glass-Fiber

**Protection Class :** IP44

**Insulation Class :** F

**Certification :** CE/ETL/CCC

**Operation Temperature :** - 25 °C ~ +60 °C

**Bearing Type :** Ball Bearing

**Technical Feature :**

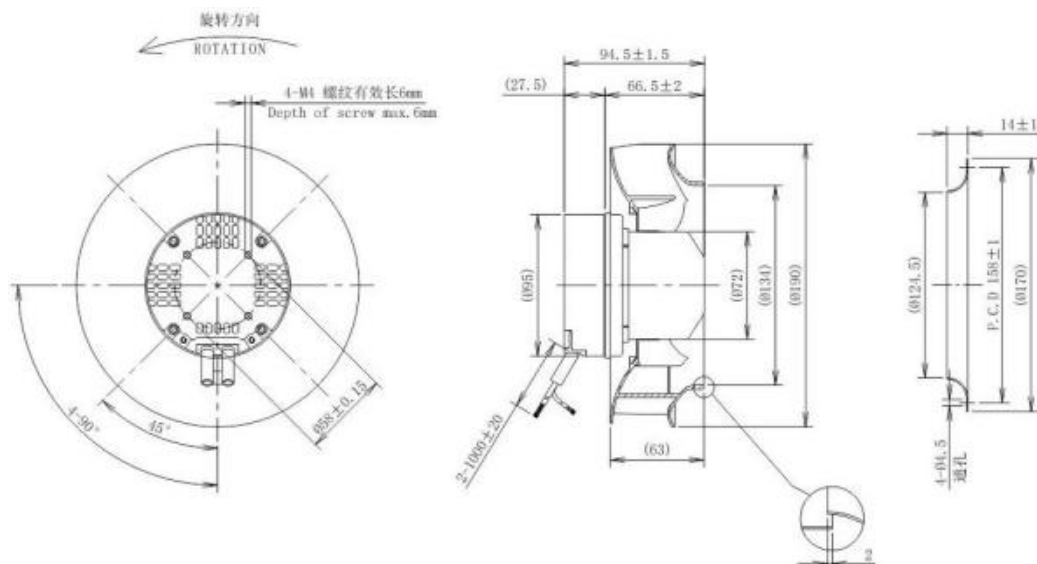
Control input 0~10VDC/PWM ,Tech output,Locked-Rotor protection ,

Reverse Polarity ,Over-voltage protection

Soft Start Protection,

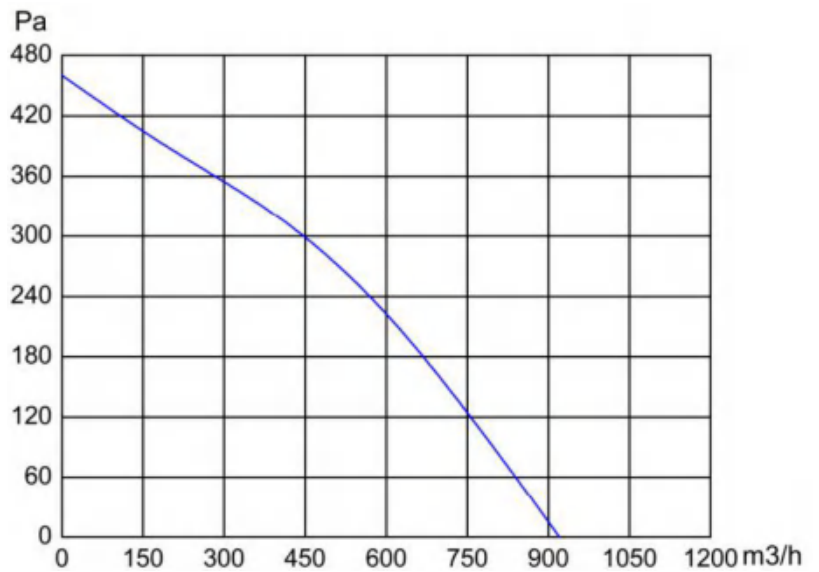
## ■ Technical Specification

Model	Bearing Type	Rated Voltage	Operating Voltage	Rated Current	Rated Power	Speed	Air Flow	Air Pressure	Noise
	B/S	V	V	A	W	RPM	m³/h	Pa	dB(A)
LWBE3G190-072NS-003	Ball	230	200-277	0.73	95	3570	750	590	78



## EC CENTRIFUGAL FAN

LWBE3G220-072


**Motor Type :** BLEC Motor

**Impeller Material :** Propylene with Glass-Fiber

**Protection Class :** IP44

**Insulation Class :** F

**Certification :** CE/ETL/CCC

**Operation Temperature :** - 25 °C ~ +60 °C

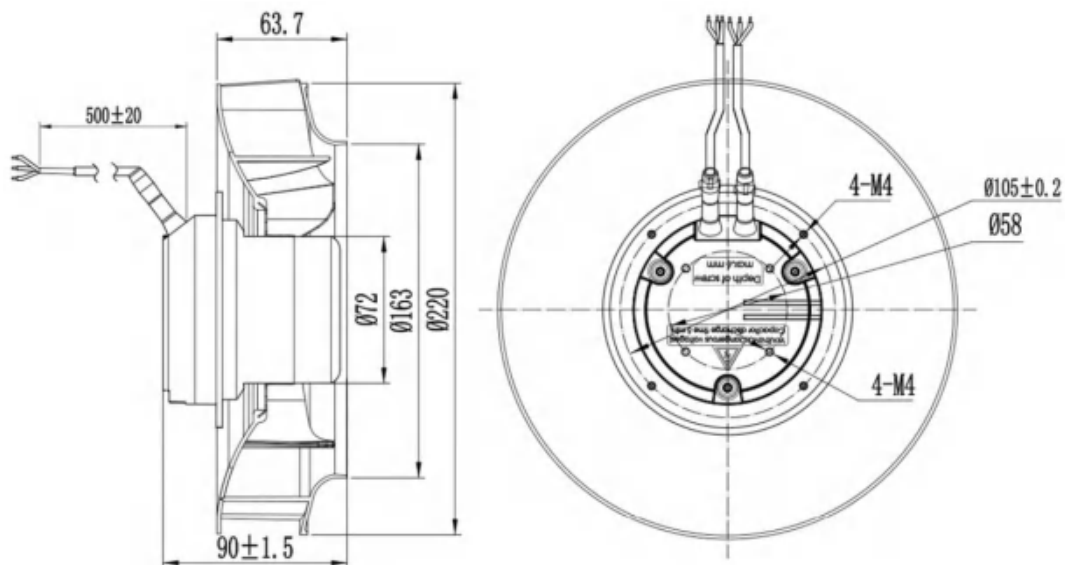
**Bearing Type :** Ball Bearing

**Technical Feature :**

 Control input 0~10VDC/PWM ,Tech output,Locked-Rotor protection ,  
 Reverse Polarity ,Over-voltage protection  
 Soft Start Protection,

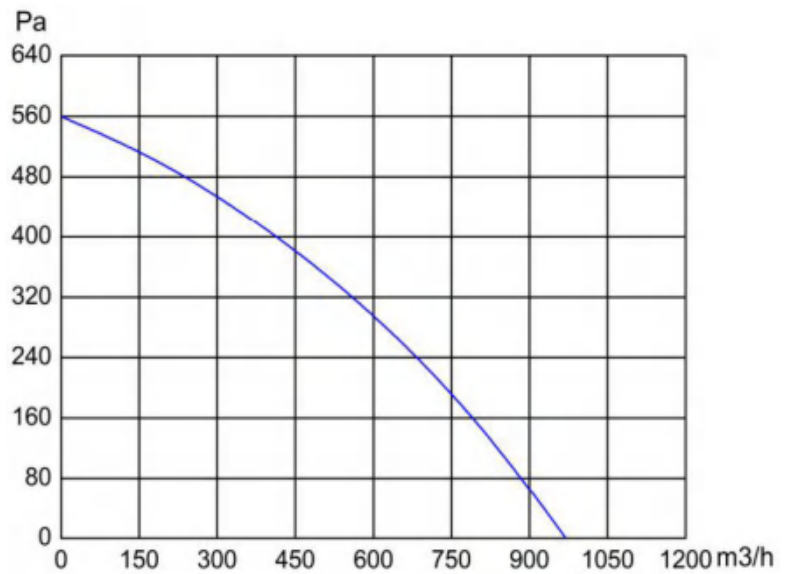
## ■ Technical Specification

Model	Bearing Type	Rated Voltage	Operating Voltage	Rated Current	Rated Power	Speed	Air Flow	Air Pressure	Noise
	B/S	V	V	A	W	RPM	m³/h	Pa	dBA
LWBE3G220-072NS-001	Ball	230	200-277	0.56	65	2700	920	460	75



## EC CENTRIFUGAL FAN

LWBE3G220-072


**Motor Type :** BLEC Motor

**Impeller Material :** Propylene with Glass-Fiber

**Protection Class :** IP44

**Insulation Class :** F

**Certification :** CE/ETL/CCC

**Operation Temperature :** - 25 °C ~ +60 °C

**Bearing Type :** Ball Bearing

**Technical Feature :**

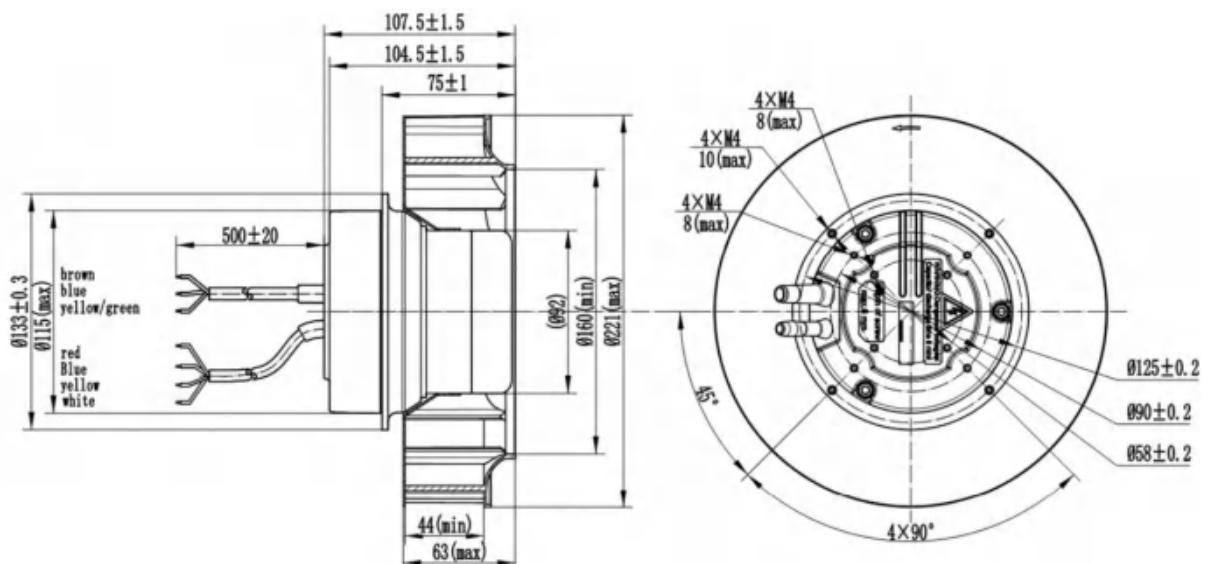
Control input 0~10VDC/PWM ,Tech output,Locked-Rotor protection ,

Reverse Polarity ,Over-voltage protection

Soft Start Protection,

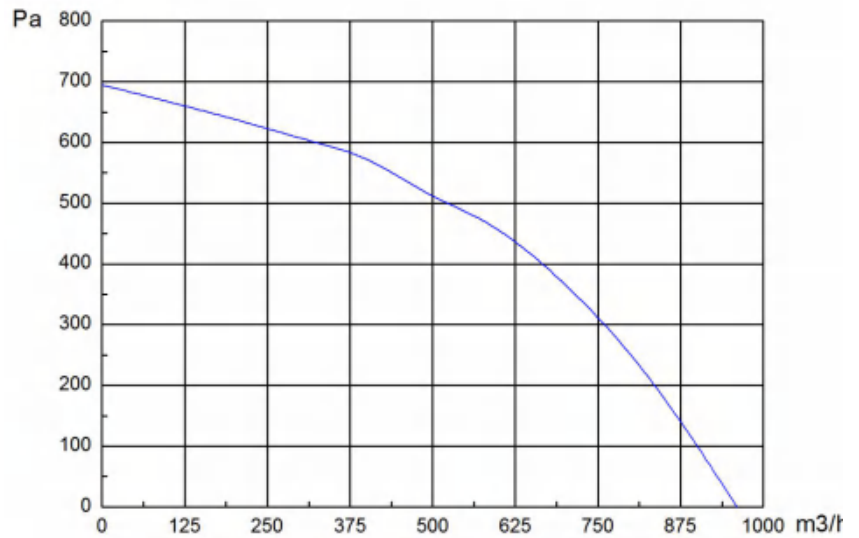
## ■ Technical Specification

Model	Bearing Type	Rated Voltage	Operating Voltage	Rated Current	Rated Power	Speed	Air Flow	Air Pressure	Noise
	B/S	V	V	A	W	RPM	m³/h	Pa	dBA
LWBE3G220-092NS-002	Ball	230	200-277	1.18	157	3510	963	560	73



## EC CENTRIFUGAL FAN

LWBE3G220-072


**Motor Type :** BLEC Motor

**Impeller Material :** Propylene with Glass-Fiber

**Protection Class :** IP44

**Insulation Class :** F

**Certification :** CE/ETL/CCC

**Operation Temperature :** - 25 °C ~ +60 °C

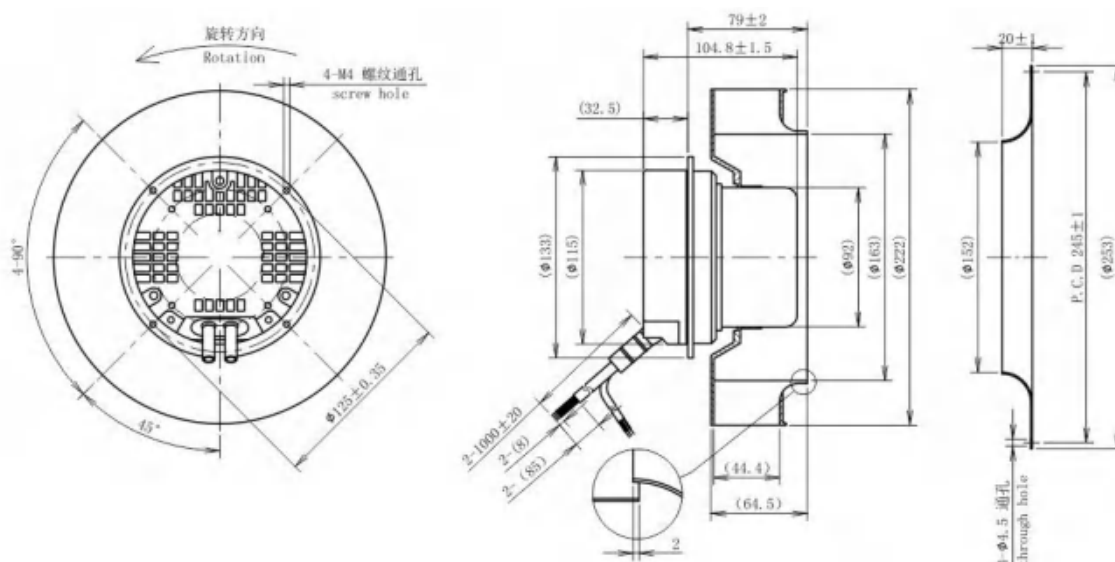
**Bearing Type :** Ball Bearing

**Technical Feature :**

 Control input 0~10VDC/PWM ,Tech output,Locked-Rotor protection ,  
 Reverse Polarity ,Over-voltage protection  
 Soft Start Protection,

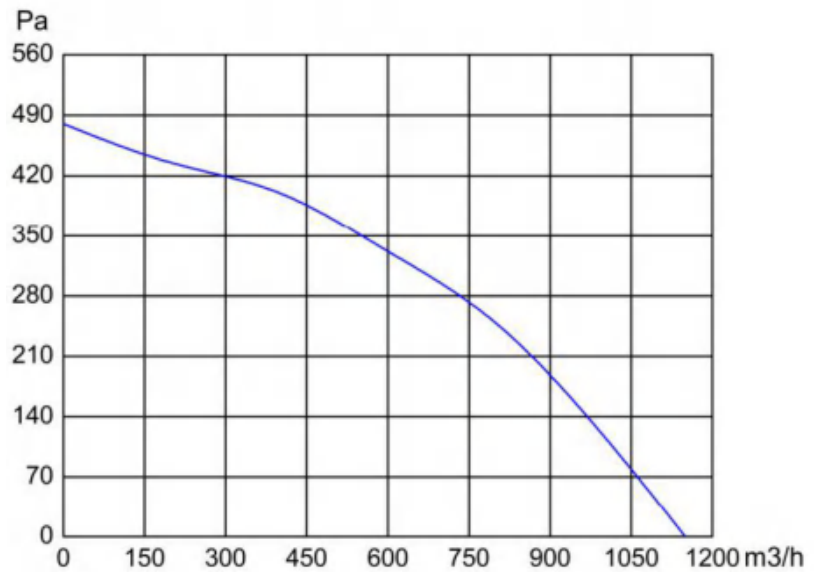
## ■ Technical Specification

Model	Bearing Type	Rated Voltage	Operating Voltage	Rated Current	Rated Power	Speed	Air Flow	Air Pressure	Noise
	B/S	V	V	A	W	RPM	m³/h	Pa	dB(A)
LWBE3G220-092NS-003	Ball	230	200-277	0.6	70	2500	950	690	71



## EC CENTRIFUGAL FAN

LWBE3G225-072


**Motor Type :** BLEC Motor

**Impeller Material :** Propylene with Glass-Fiber

**Protection Class :** IP44

**Insulation Class :** F

**Certification :** CE/ETL/CCC

**Operation Temperature :** - 25 °C ~ +60 °C

**Bearing Type :** Ball Bearing

**Technical Feature :**

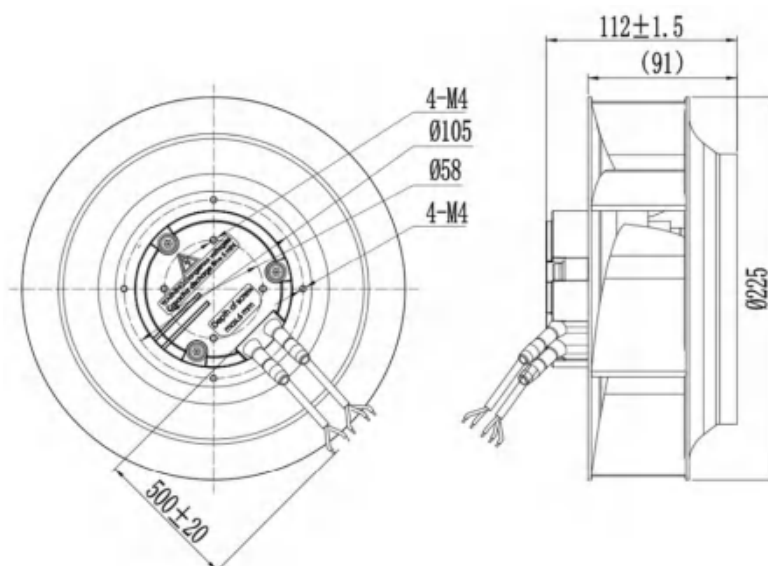
Control input 0~10VDC/PWM ,Tech output,Locked-Rotor protection ,

Reverse Polarity ,Over-voltage protection

Soft Start Protection,

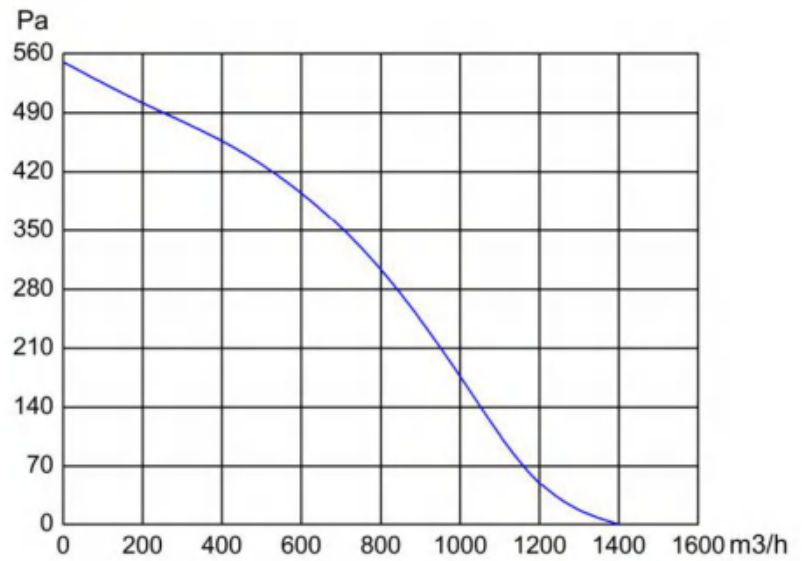
## ■ Technical Specification

Model	Bearing Type	Rated Voltage	Operating Voltage	Rated Current	Rated Power	Speed	Air Flow	Air Pressure	Noise
	B/S	V	V	A	W	RPM	m³/h	Pa	dBA
LWBE3G225-072NS-001	Ball	230	200-277	0.68	105	2600	1150	480	74



## EC CENTRIFUGAL FAN

LWBE3G225-092


**Motor Type :** BLEC Motor

**Impeller Material :** Propylene with Glass-Fiber

**Protection Class :** IP44

**Insulation Class :** F

**Certification :** CE/ETL/CCC

**Operation Temperature :** - 25 °C ~ +60 °C

**Bearing Type :** Ball Bearing

**Technical Feature :**

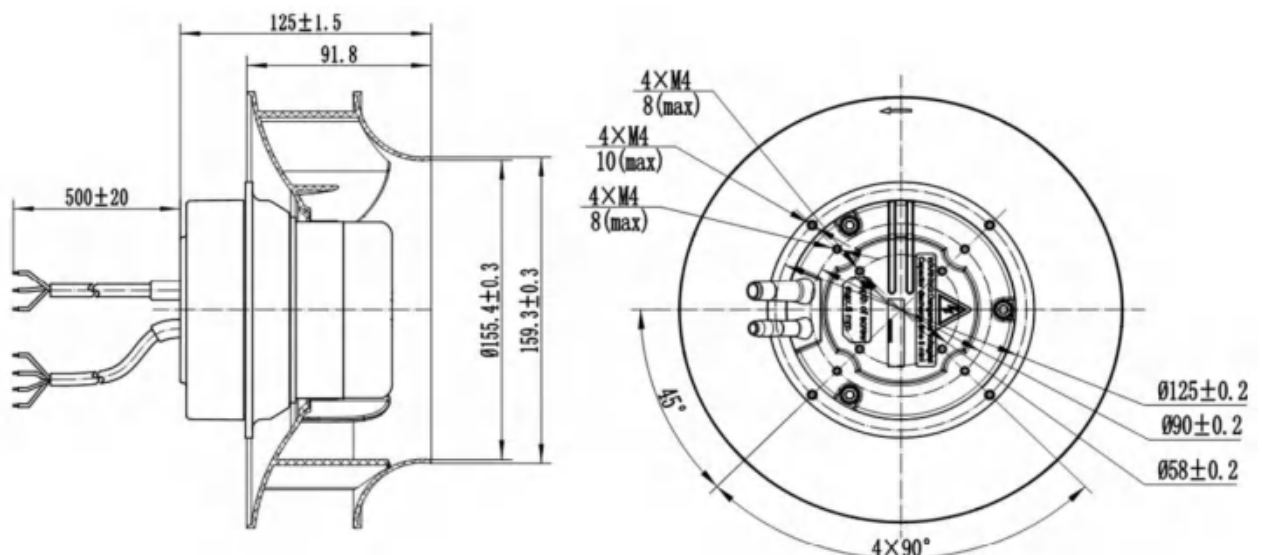
Control input 0~10VDC/PWM ,Tech output,Locked-Rotor protection ,

Reverse Polarity ,Over-voltage protection

Soft Start Protection,

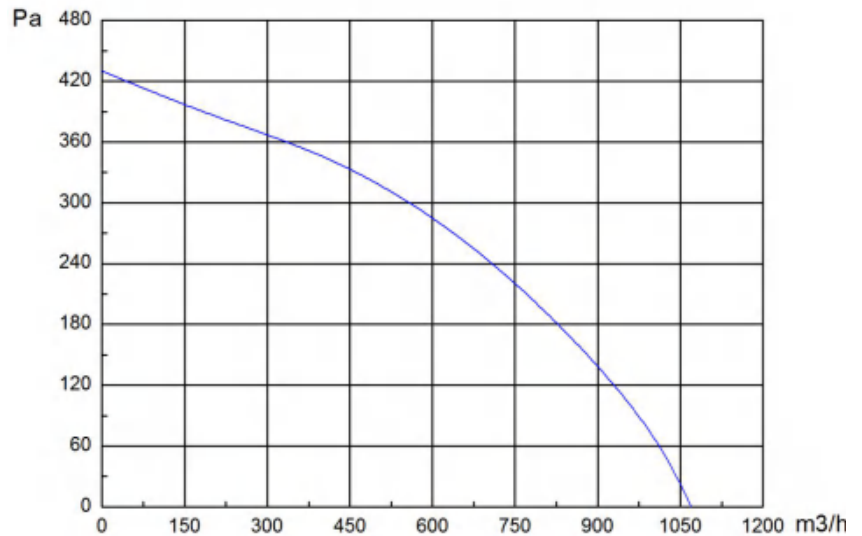
## ■ Technical Specification

Model	Bearing Type	Rated Voltage	Operating Voltage	Rated Current	Rated Power	Speed	Air Flow	Air Pressure	Noise
	B/S	V	V	A	W	RPM	m³/h	Pa	dB(A)
LWBE3G225-092NS-002	Ball	230	200-277	1.14	150	3010	1226	550	79



## EC CENTRIFUGAL FAN

LWBE3G225-072


**Motor Type :** BLEC Motor

**Impeller Material :** Propylene with Glass-Fiber

**Protection Class :** IP44

**Insulation Class :** F

**Certification :** CE/ETL/CCC

**Operation Temperature :** - 25 °C ~ +60 °C

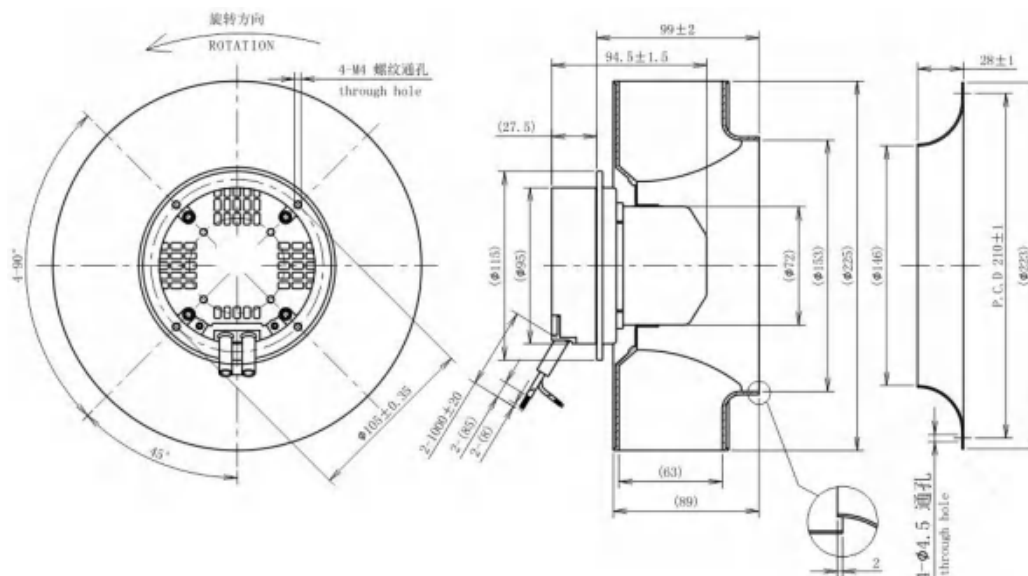
**Bearing Type :** Ball Bearing

**Technical Feature :**

 Control input 0~10VDC/PWM ,Tech output,Locked-Rotor protection ,  
 Reverse Polarity ,Over-voltage protection  
 Soft Start Protection,

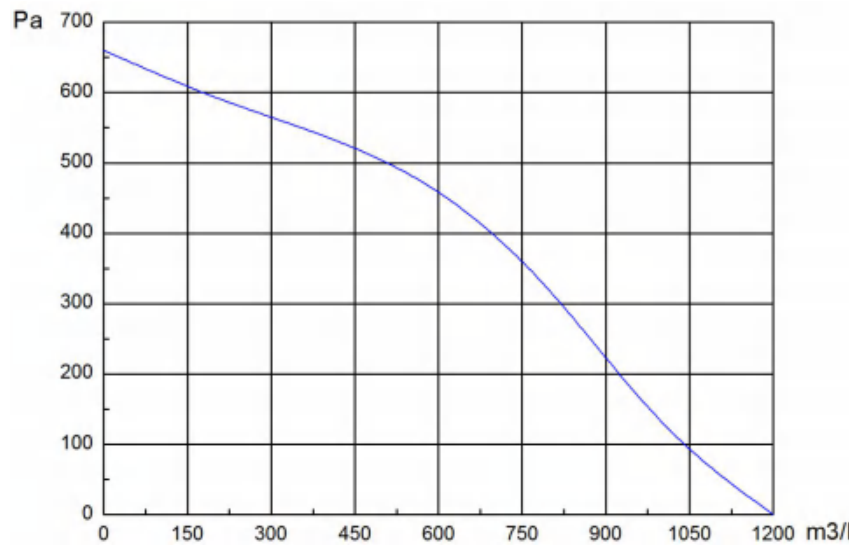
## ■ Technical Specification

Model	Bearing Type	Rated Voltage	Operating Voltage	Rated Current	Rated Power	Speed	Air Flow	Air Pressure	Noise
	B/S	V	V	A	W	RPM	m³/h	Pa	dB(A)
LWBE3G225-072NS-003	Ball	230	200-277	0.6	80	2500	1100	430	69



## EC CENTRIFUGAL FAN

LWBE3G225-092


**Motor Type :** BLEC Motor

**Impeller Material :** Propylene with Glass-Fiber

**Protection Class :** IP44

**Insulation Class :** F

**Certification :** CE/ETL/CCC

**Operation Temperature :** - 25 °C ~ +60 °C

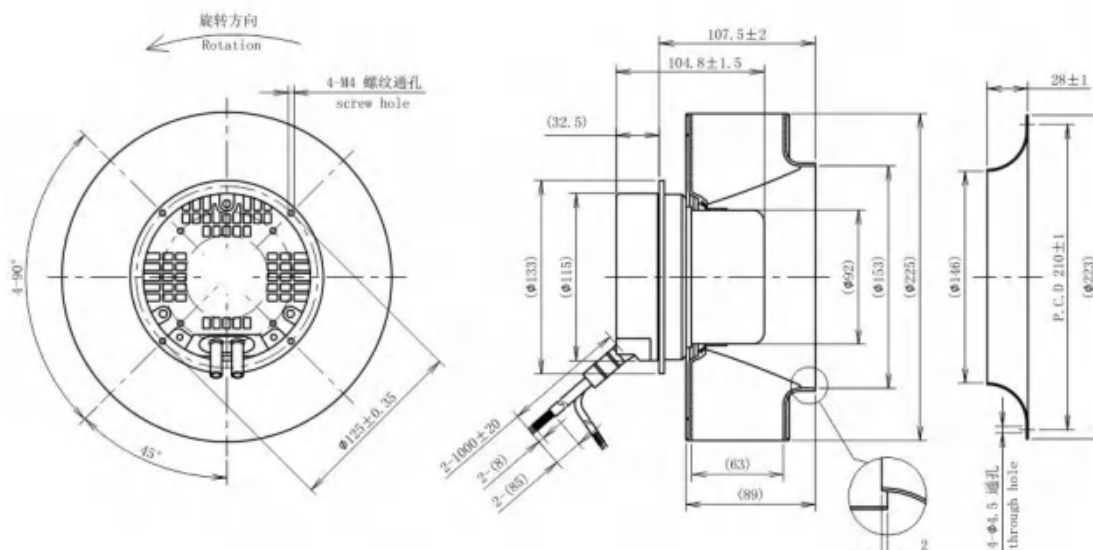
**Bearing Type :** Ball Bearing

**Technical Feature :**

 Control input 0~10VDC/PWM ,Tech output,Locked-Rotor protection ,  
 Reverse Polarity ,Over-voltage protection  
 Soft Start Protection,

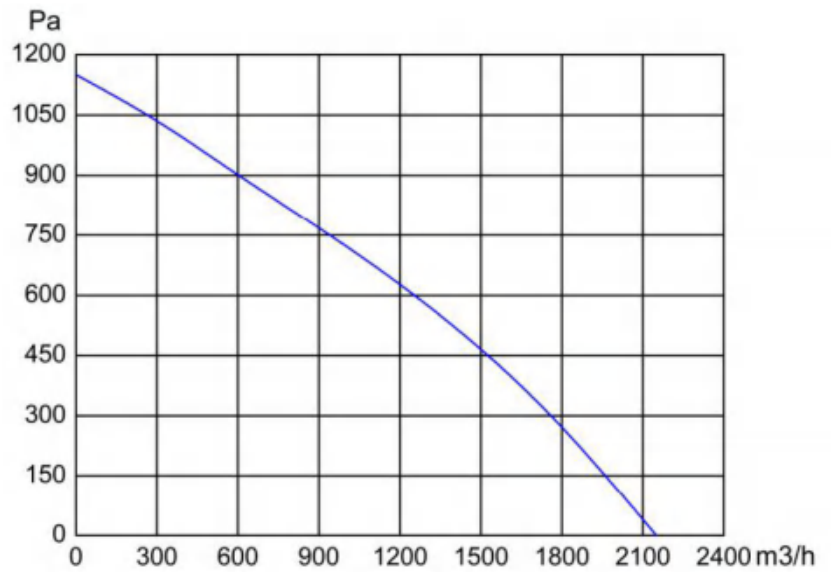
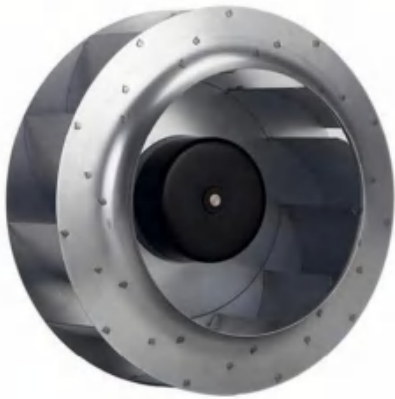
## ■ Technical Specification

Model	Bearing Type	Rated Voltage	Operating Voltage	Rated Current	Rated Power	Speed	Air Flow	Air Pressure	Noise
	B/S	V	V	A	W	RPM	m³/h	Pa	dB(A)
LWBE3G225-092NS-004	Ball	230	200-277	1.14	150	3010	1226	550	79



## EC CENTRIFUGAL FAN

LWBE3G250-092


**Motor Type :** BLEC Motor

**Impeller Material :** Propylene with Glass-Fiber

**Protection Class :** IP44

**Insulation Class :** F

**Certification :** CE/ETL/CCC

**Operation Temperature :** - 25 °C ~ +60 °C

**Bearing Type :** Ball Bearing

**Technical Feature :**

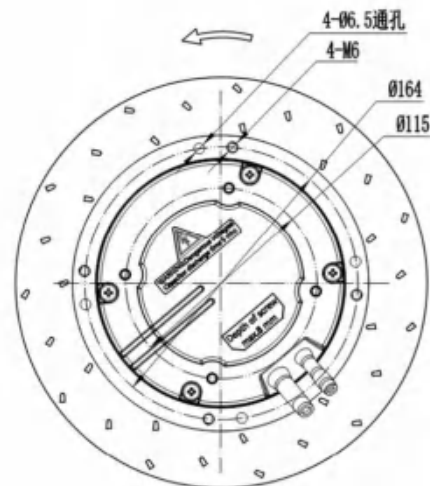
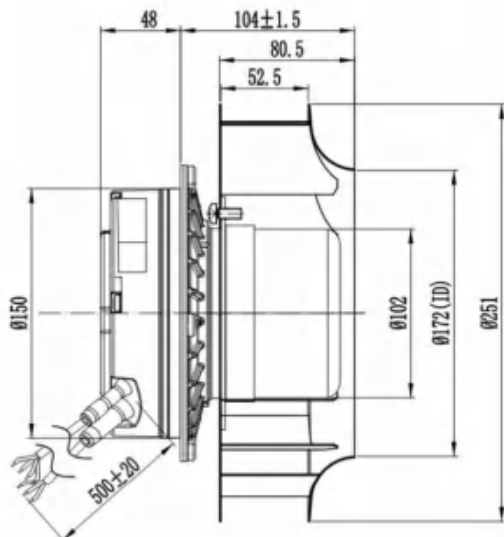
Control input 0~10VDC/PWM ,Tech output,Locked-Rotor protection ,

Reverse Polarity ,Over-voltage protection

Soft Start Protection,

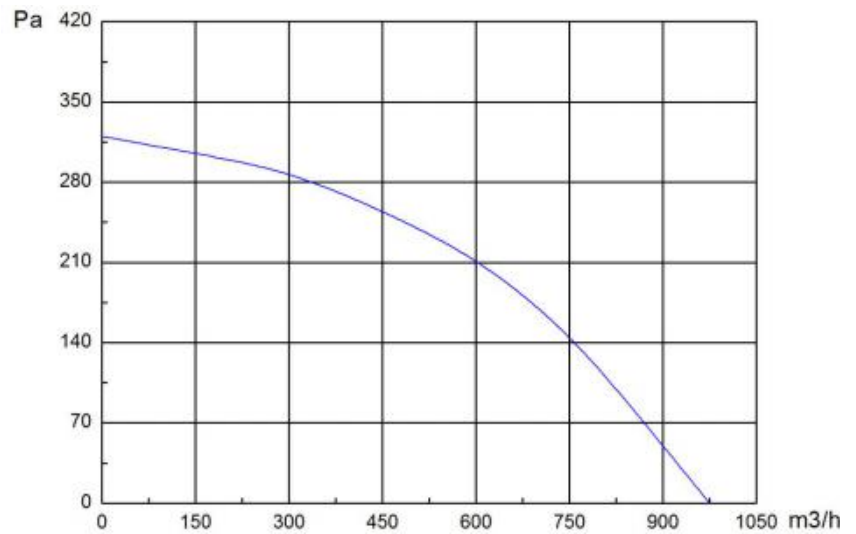
## ■ Technical Specification

Model	Bearing Type	Rated Voltage	Operating Voltage	Rated Current	Rated Power	Speed	Air Flow	Air Pressure	Noise
	B/S	V	V	A	W	RPM	m³/h	Pa	dBA
LWBE3G250-102NS-006	Ball	230	200-277	3.2	485	3580	2124	1150	80



## EC CENTRIFUGAL FAN

LWBE3G250-072


**Motor Type :** BLEC Motor

**Impeller Material :** Propylene with Glass-Fiber

**Protection Class :** IP44

**Insulation Class :** F

**Certification :** CE/ETL/CCC

**Operation Temperature :** - 25 °C ~ +60 °C

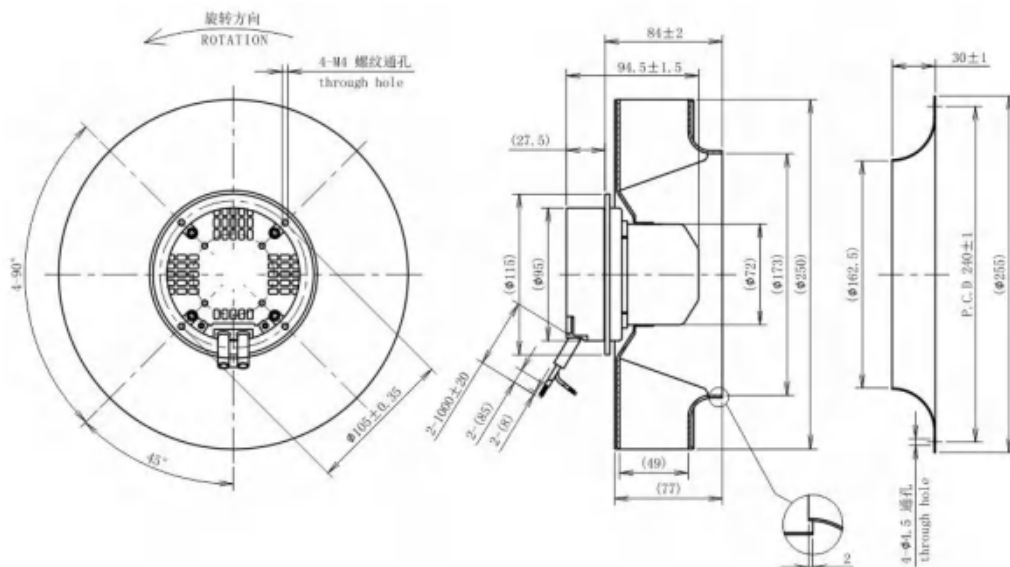
**Bearing Type :** Ball Bearing

**Technical Feature :**

 Control input 0~10VDC/PWM ,Tech output,Locked-Rotor protection ,  
 Reverse Polarity ,Over-voltage protection  
 Soft Start Protection,

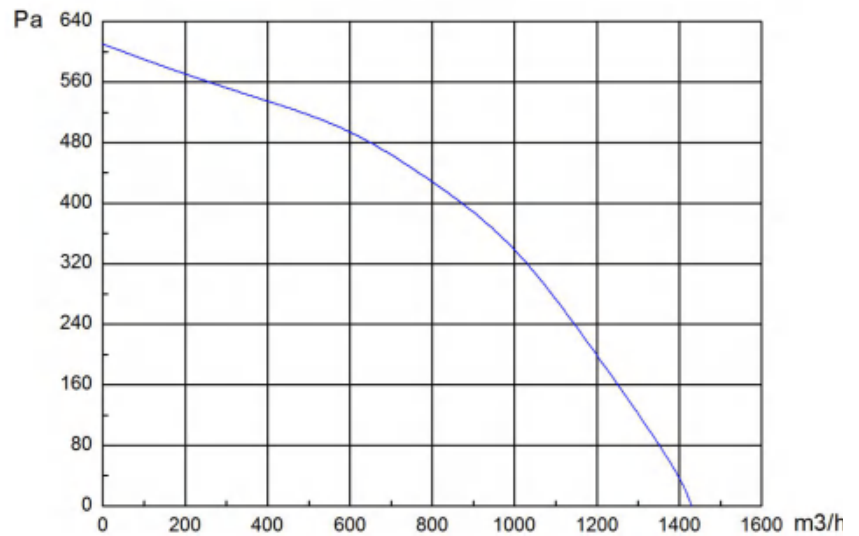
## ■ Technical Specification

Model	Bearing Type	Rated Voltage	Operating Voltage	Rated Current	Rated Power	Speed	Air Flow	Air Pressure	Noise
	B/S	V	V	A	W	RPM	m³/h	Pa	dBA
LWBE3G250-072NS-001	Ball	230	200-277	0.4	60	2250	975	320	65



## EC CENTRIFUGAL FAN

LWBE3G250-072


**Motor Type :** BLEC Motor

**Impeller Material :** Propylene with Glass-Fiber

**Protection Class :** IP44

**Insulation Class :** F

**Certification :** CE/ETL/CCC

**Operation Temperature :** - 25 °C ~ +60 °C

**Bearing Type :** Ball Bearing

**Technical Feature :**

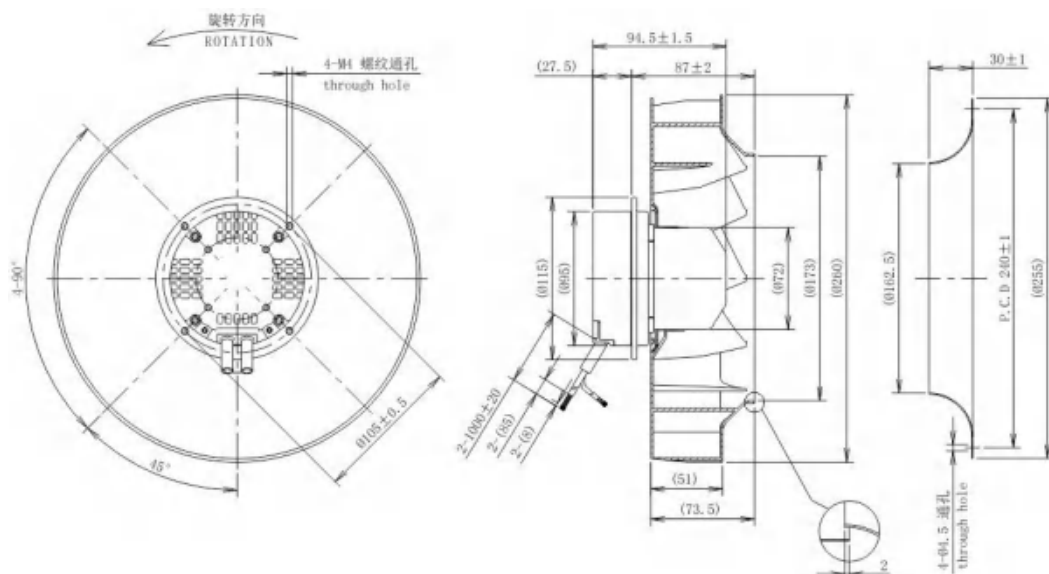
Control input 0~10VDC/PWM ,Tech output,Locked-Rotor protection ,

Reverse Polarity ,Over-voltage protection

Soft Start Protection,

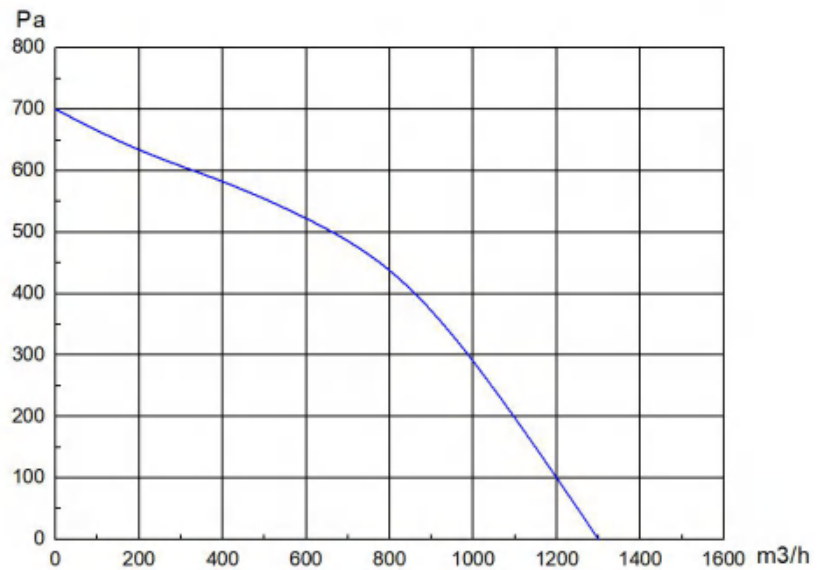
## ■ Technical Specification

Model	Bearing Type	Rated Voltage	Operating Voltage	Rated Current	Rated Power	Speed	Air Flow	Air Pressure	Noise
	B/S	V	V	A	W	RPM	m³/h	Pa	dB(A)
LWBE3G250-072NS-002	Ball	230	200-277	0.8	90	2150	1420	610	68



## EC CENTRIFUGAL FAN

LWBE3G250-092


**Motor Type :** BLEC Motor

**Impeller Material :** Propylene with Glass-Fiber

**Protection Class :** IP44

**Insulation Class :** F

**Certification :** CE/ETL/CCC

**Operation Temperature :** - 25 °C ~ +60 °C

**Bearing Type :** Ball Bearing

**Technical Feature :**

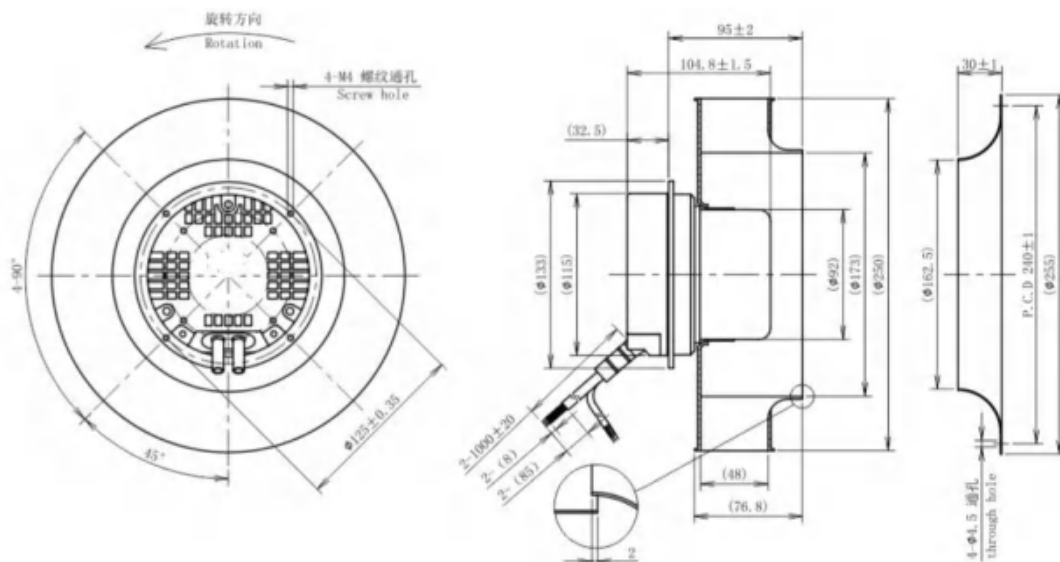
Control input 0~10VDC/PWM ,Tech output,Locked-Rotor protection ,

Reverse Polarity ,Over-voltage protection

Soft Start Protection,

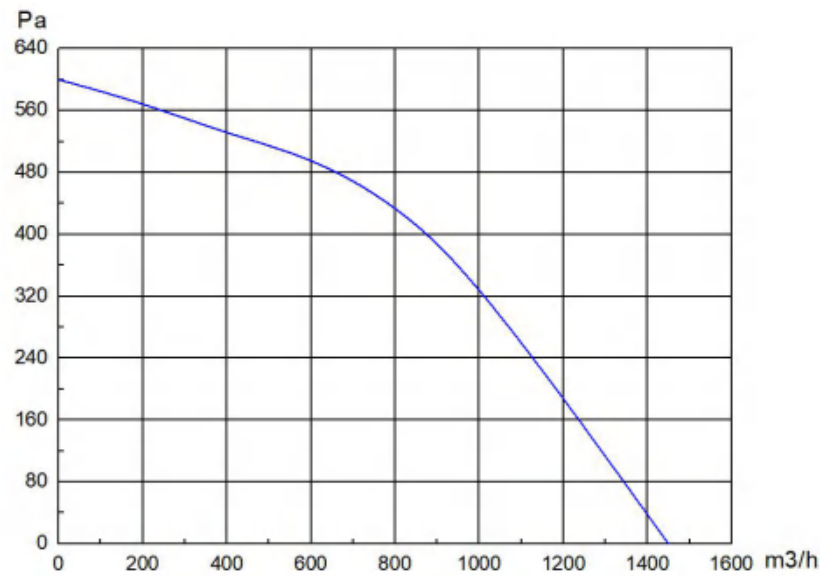
## ■ Technical Specification

Model	Bearing Type	Rated Voltage	Operating Voltage	Rated Current	Rated Power	Speed	Air Flow	Air Pressure	Noise
	B/S	V	V	A	W	RPM	m³/h	Pa	dBA
LWBE3G250-092NS-003	Ball	230	200-277	1.1	145	3080	1300	700	75



## EC CENTRIFUGAL FAN

LWBE3G250-092


**Motor Type :** BLEC Motor

**Impeller Material :** Propylene with Glass-Fiber

**Protection Class :** IP44

**Insulation Class :** F

**Certification :** CE/ETL/CCC

**Operation Temperature :** - 25 °C ~ +60 °C

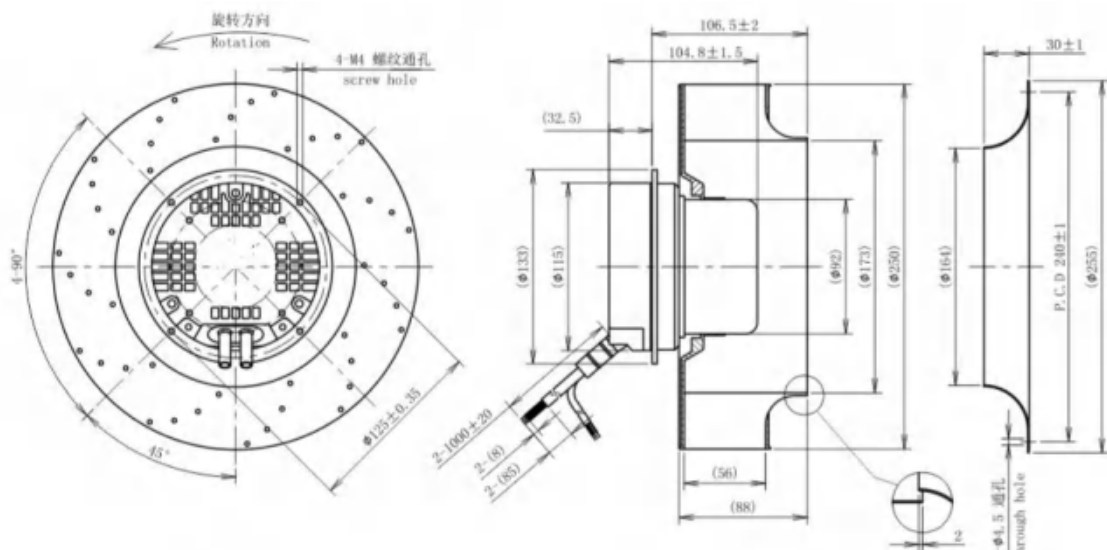
**Bearing Type :** Ball Bearing

**Technical Feature :**

 Control input 0~10VDC/PWM ,Tech output,Locked-Rotor protection ,  
 Reverse Polarity ,Over-voltage protection  
 Soft Start Protection,

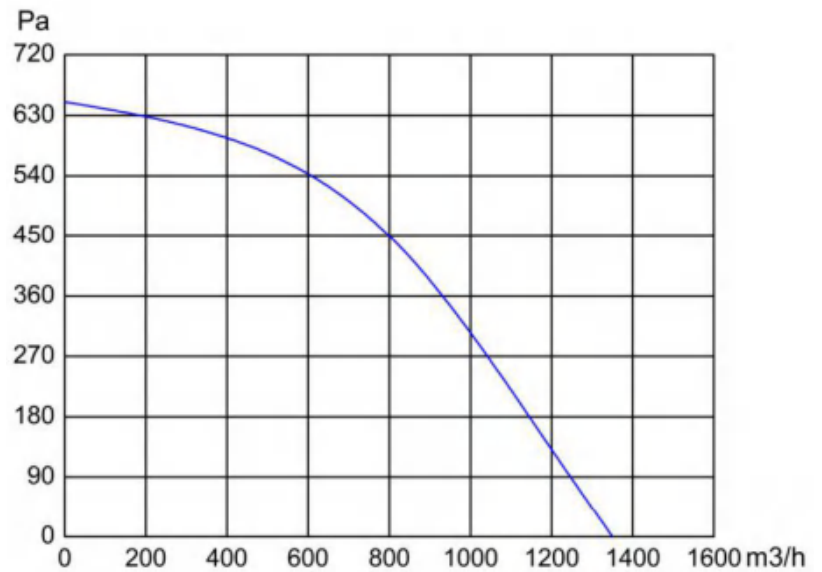
## ■ Technical Specification

Model	Bearing Type	Rated Voltage	Operating Voltage	Rated Current	Rated Power	Speed	Air Flow	Air Pressure	Noise
	B/S	V	V	A	W	RPM	m³/h	Pa	dB(A)
LWBE3G250-092NS-004	Ball	230	200-277	0.87	130	2850	1450	620	75



## EC CENTRIFUGAL FAN

LWBE3G250-092


**Motor Type :** BLEC Motor

**Impeller Material :** Propylene with Glass-Fiber

**Protection Class :** IP44

**Insulation Class :** F

**Certification :** CE/ETL/CCC

**Operation Temperature :** - 25 °C ~ +60 °C

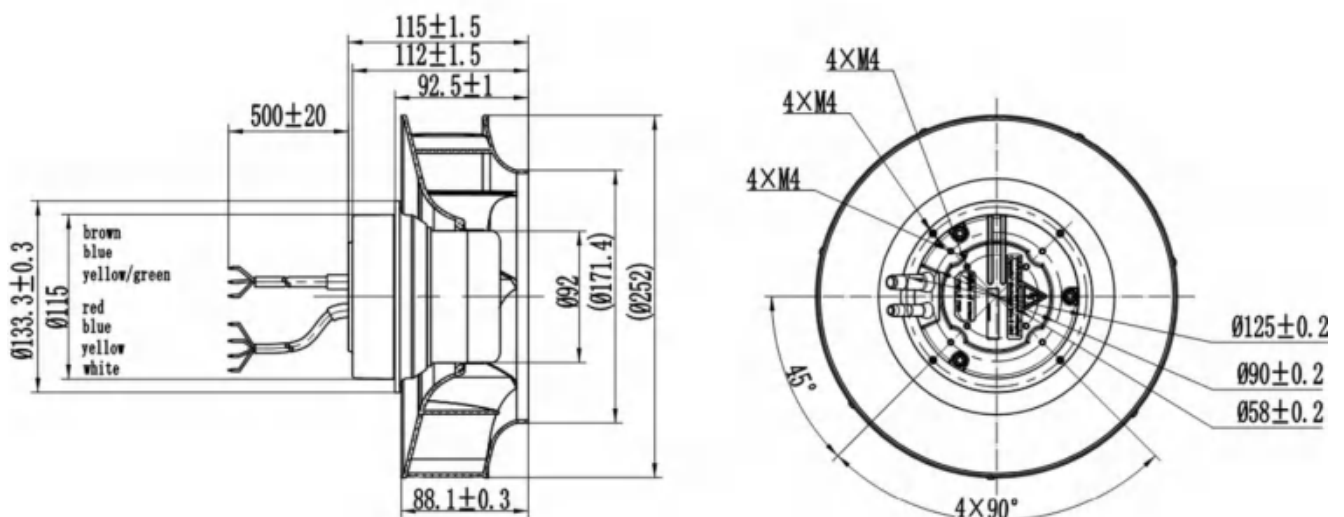
**Bearing Type :** Ball Bearing

**Technical Feature :**

 Control input 0~10VDC/PWM ,Tech output,Locked-Rotor protection ,  
 Reverse Polarity ,Over-voltage protection  
 Soft Start Protection,

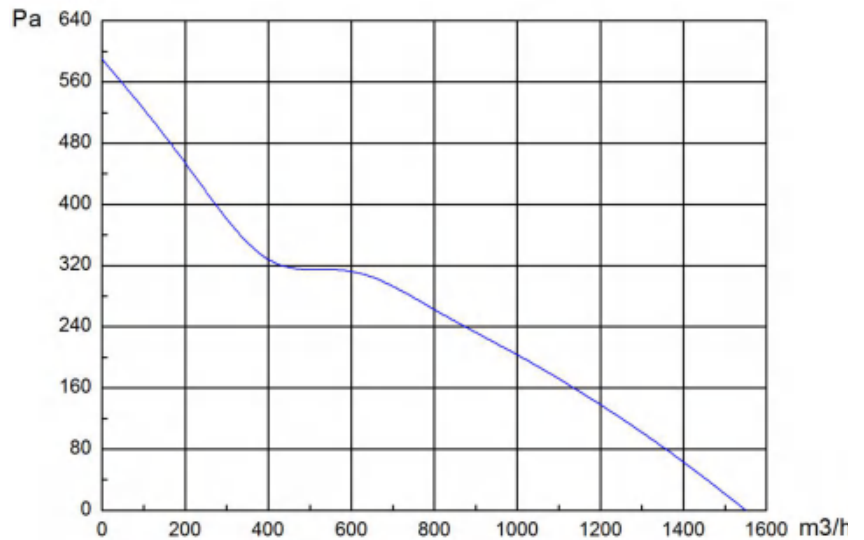
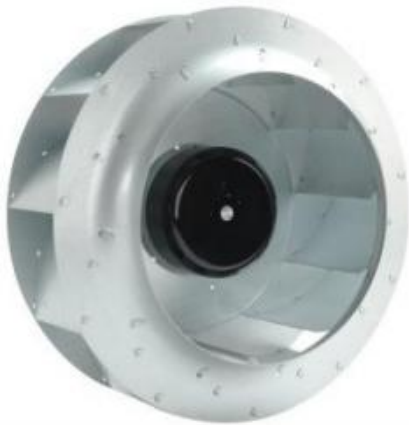
## ■ Technical Specification

Model	Bearing Type	Rated Voltage	Operating Voltage	Rated Current	Rated Power	Speed	Air Flow	Air Pressure	Noise
	B/S	V	V	A	W	RPM	m³/h	Pa	dB(A)
LWBE3G250-092NS-005	Ball	230	200-277	0.96	123	2760	1333	645	71



EC CENTRIFUGAL FAN

LWBE3G280-092



**Motor Type :** BLEC Motor

**Impeller Material :** Propylene with Glass-Fiber

**Protection Class :** IP44

**Insulation Class :** F

**Certification :** CE/ETL/CCC

**Operation Temperature :** - 25 °C ~ +60 °C

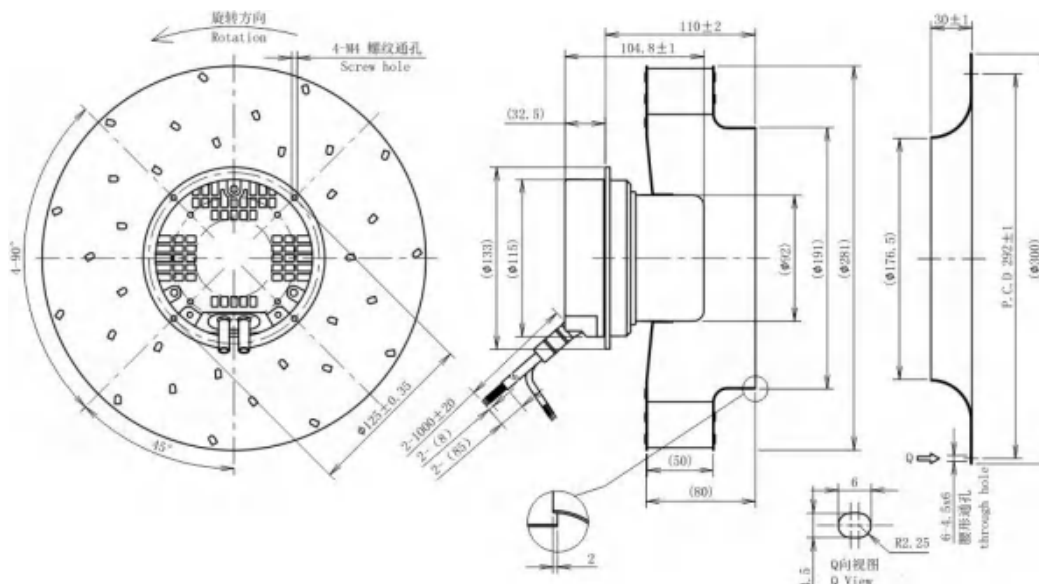
**Bearing Type :** Ball Bearing

**Technical Feature :**

Control input 0~10VDC/PWM ,Tech output,Locked-Rotor protection , Reverse Polarity ,Over-voltage protection  
Soft Start Protection,

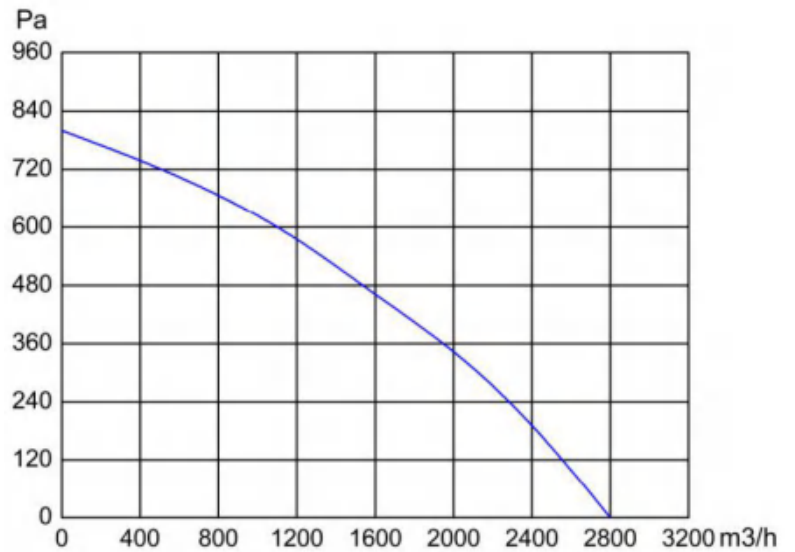
■ Technical Specification

Model	Bearing Type	Rated Voltage	Operating Voltage	Rated Current	Rated Power	Speed	Air Flow	Air Pressure	Noise
	B/S	V	V	A	W	RPM	m³/h	Pa	dB(A)
LWBE3G280-092NS-001	Ball	230	200-277	1	135	2325	1550	560	75



## EC CENTRIFUGAL FAN

LWBE3G280-102


**Motor Type :** BLEC Motor

**Impeller Material :** Propylene with Glass-Fiber

**Protection Class :** IP44

**Insulation Class :** F

**Certification :** CE/ETL/CCC

**Operation Temperature :** - 25 °C ~ +60 °C

**Bearing Type :** Ball Bearing

**Technical Feature :**

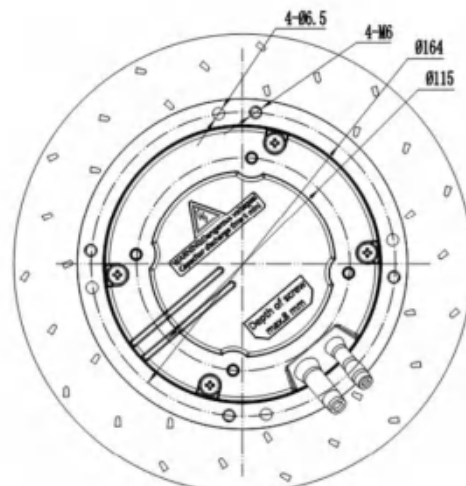
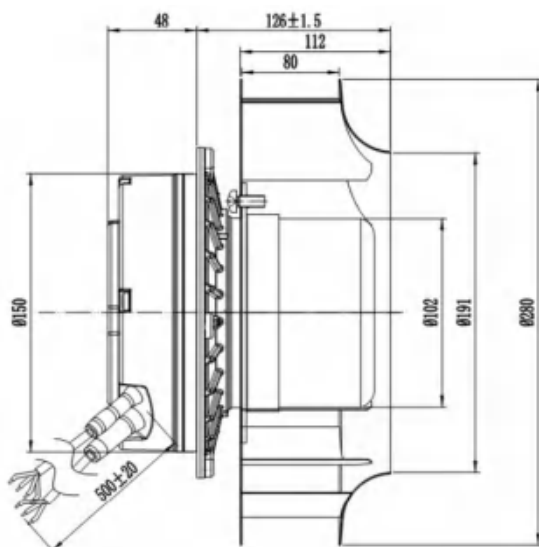
Control input 0~10VDC/PWM ,Tech output,Locked-Rotor protection ,

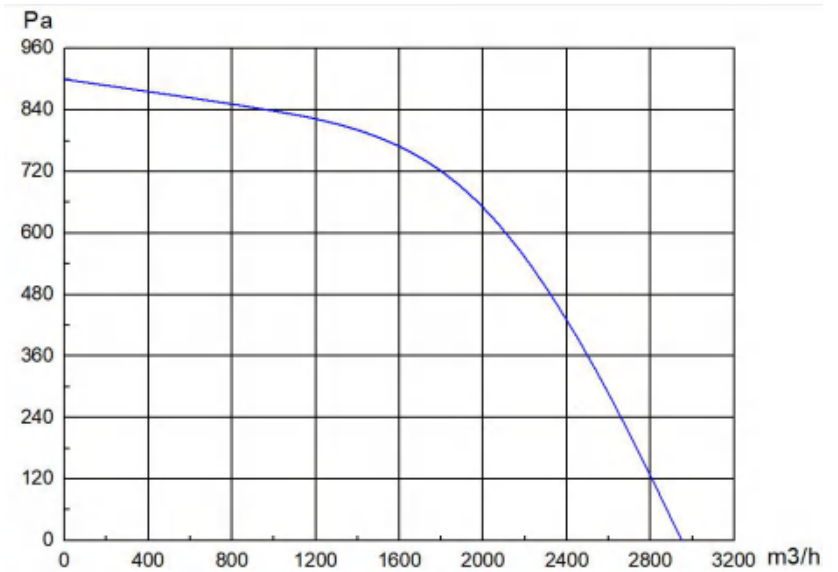
Reverse Polarity ,Over-voltage protection

Soft Start Protection,

## ■ Technical Specification

Model	Bearing Type	Rated Voltage	Operating Voltage	Rated Current	Rated Power	Speed	Air Flow	Air Pressure	Noise
	B/S	V	V	A	W	RPM	m³/h	Pa	dBA
LWBE3G280-102NS-002	Ball	230	200-277	2.8	425	2760	2800	800	80





**Motor Type :** BLEC Motor

**Impeller Material :** Propylene with Glass-Fiber

**Protection Class :** IP44

**Insulation Class :** F

**Certification :** CE/ETL/CCC

**Operation Temperature :** - 25 °C ~ +60 °C

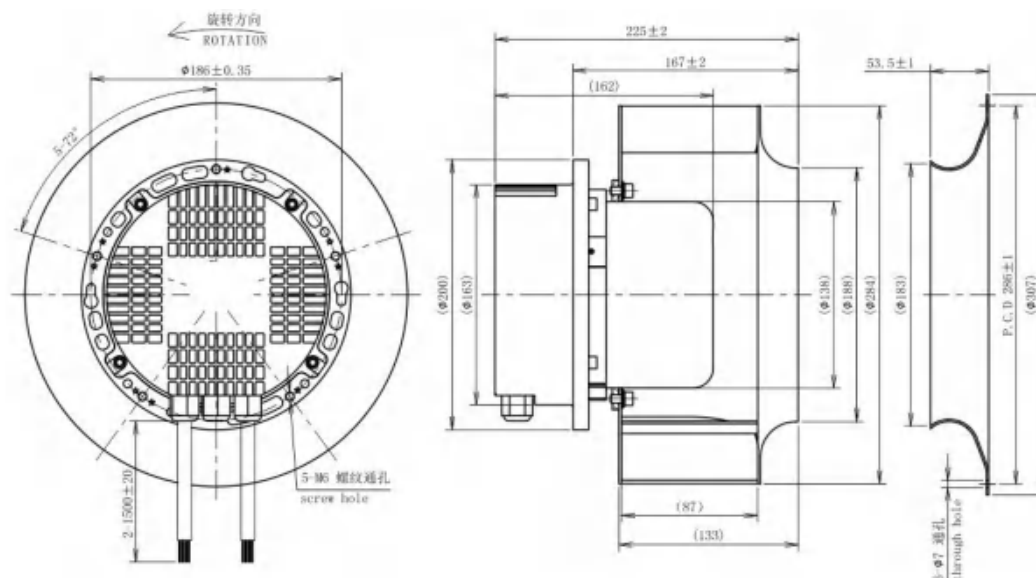
**Bearing Type :** Ball Bearing

**Technical Feature :**

Control input 0~10VDC/PWM ,Tech output,Locked-Rotor protection ,  
 Reverse Polarity ,Over-voltage protection  
 Soft Start Protection,

### Technical Specification

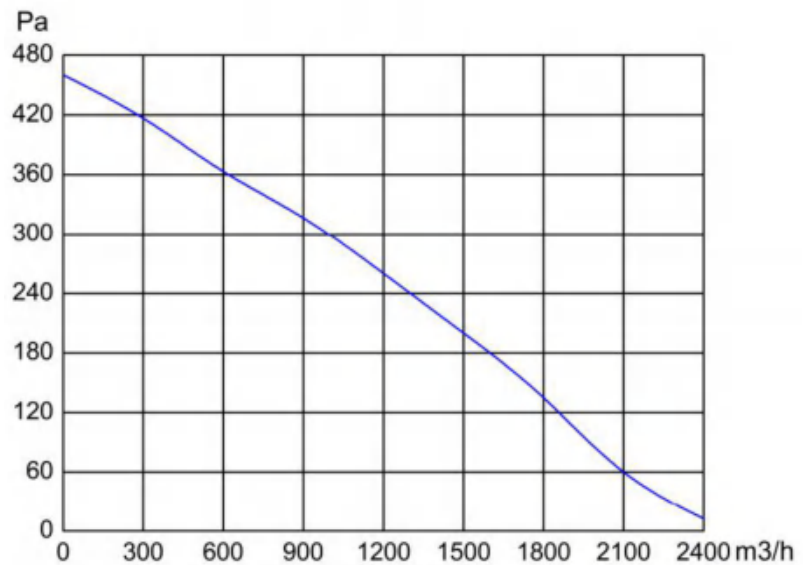
Model	Bearing Type	Rated Voltage	Operating Voltage	Rated Current	Rated Power	Speed	Air Flow	Air Pressure	Noise
	B/S	V	V	A	W	RPM	m³/h	Pa	dB(A)
LWBE3G280-137NS-003	Ball	3~380	/	1.1	780	2850	2900	900	82





## EC CENTRIFUGAL FAN

LWBE3G310-092


**Motor Type :** BLEC Motor

**Impeller Material :** Aluminum Alloy

**Protection Class :** IP44

**Insulation Class :** F

**Certification :** CE/ETL/CCC

**Operation Temperature :** - 25 °C ~ +60 °C

**Bearing Type :** Ball Bearing

**Technical Feature :**

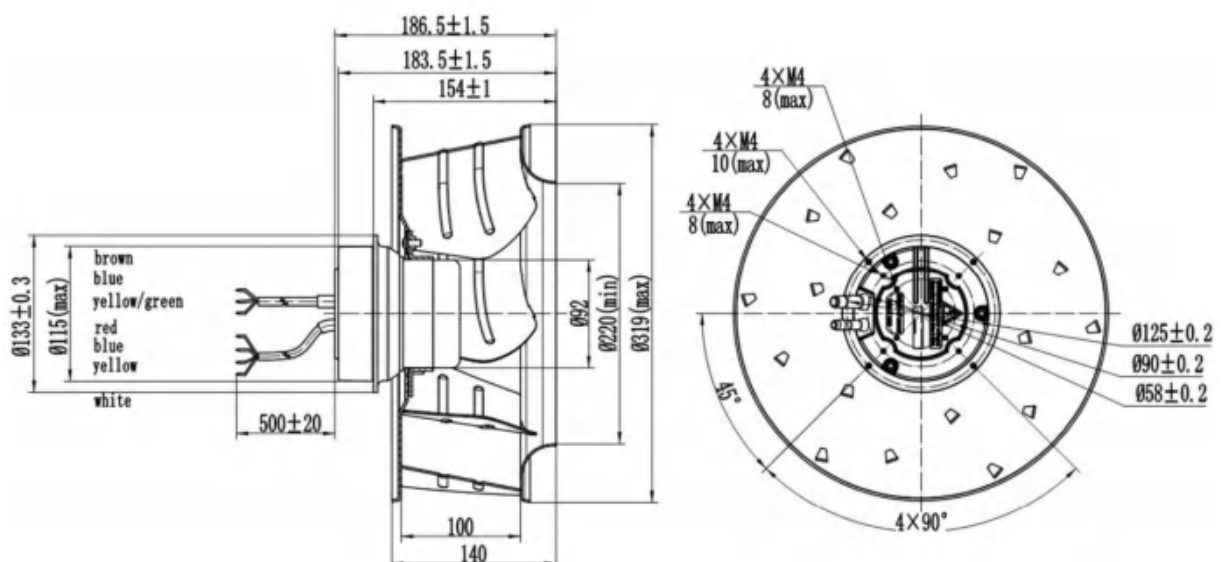
Control input 0~10VDC/PWM ,Tech output,Locked-Rotor protection ,

Reverse Polarity ,Over-voltage protection

Soft Start Protection,

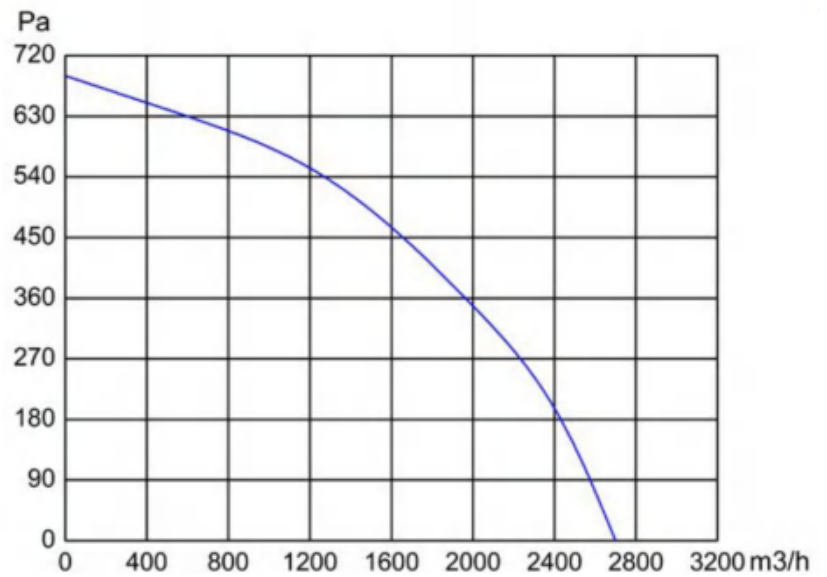
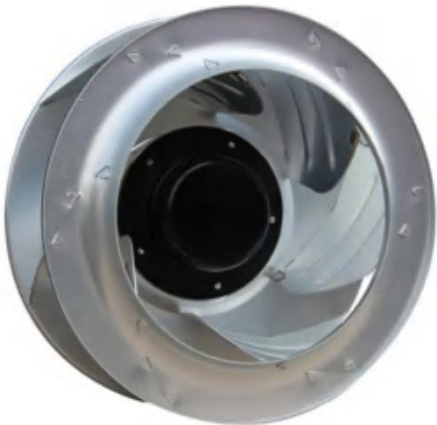
## ■ Technical Specification

Model	Bearing Type	Rated Voltage	Operating Voltage	Rated Current	Rated Power	Speed	Air Flow	Air Pressure	Noise
	B/S	V	V	A	W	RPM	m³/h	Pa	dBA
LWBE3G310-092NS-002	Ball	230	200-277	1.33	180	1770	2480	460	77



## EC CENTRIFUGAL FAN

LWBE3G310-102


**Motor Type :** BLEC Motor

**Impeller Material :** Aluminum Alloy

**Protection Class :** IP44

**Insulation Class :** F

**Certification :** CE/ETL/CCC

**Operation Temperature :** - 25 °C ~ +60 °C

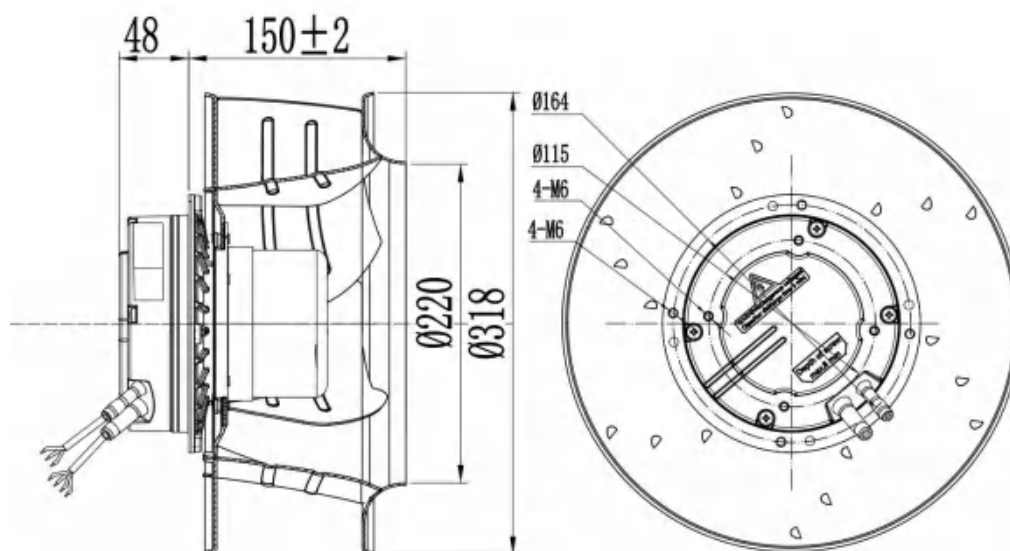
**Bearing Type :** Ball Bearing

**Technical Feature :**

 Control input 0~10VDC/PWM ,Tech output,Locked-Rotor protection ,  
 Reverse Polarity ,Over-voltage protection  
 Soft Start Protection,

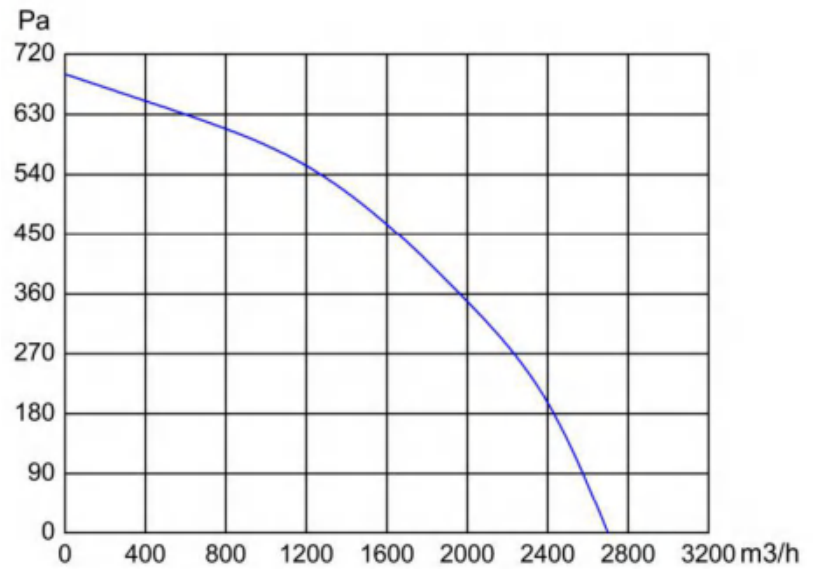
## ■ Technical Specification

Model	Bearing Type	Rated Voltage	Operating Voltage	Rated Current	Rated Power	Speed	Air Flow	Air Pressure	Noise
	B/S	V	V	A	W	RPM	m³/h	Pa	dBA
LWBE3G310-102NS-003	Ball	230	200-277	3	445	2600	2750	700	79



## EC CENTRIFUGAL FAN

LWBE3G310-102


**Motor Type :** BLEC Motor

**Impeller Material :** Aluminum Alloy

**Protection Class :** IP44

**Insulation Class :** F

**Certification :** CE/ETL/CCC

**Operation Temperature :** - 25 °C ~ +60 °C

**Bearing Type :** Ball Bearing

**Technical Feature :**

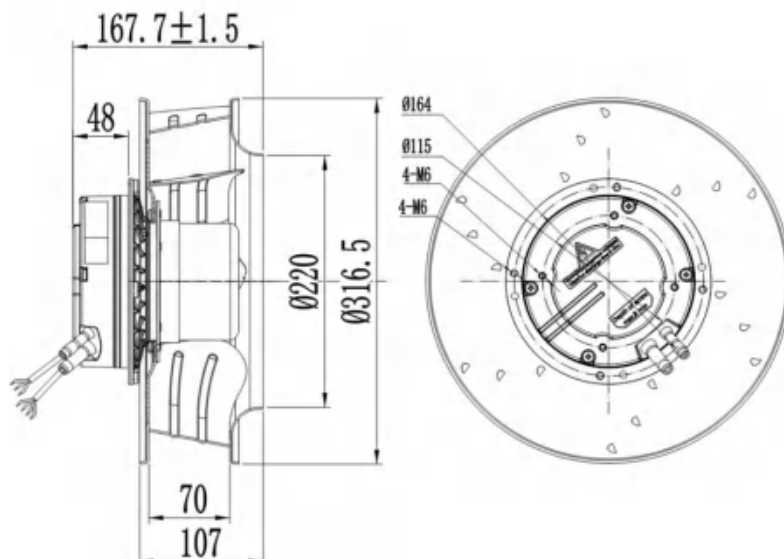
Control input 0~10VDC/PWM ,Tech output,Locked-Rotor protection ,

Reverse Polarity ,Over-voltage protection

Soft Start Protection,

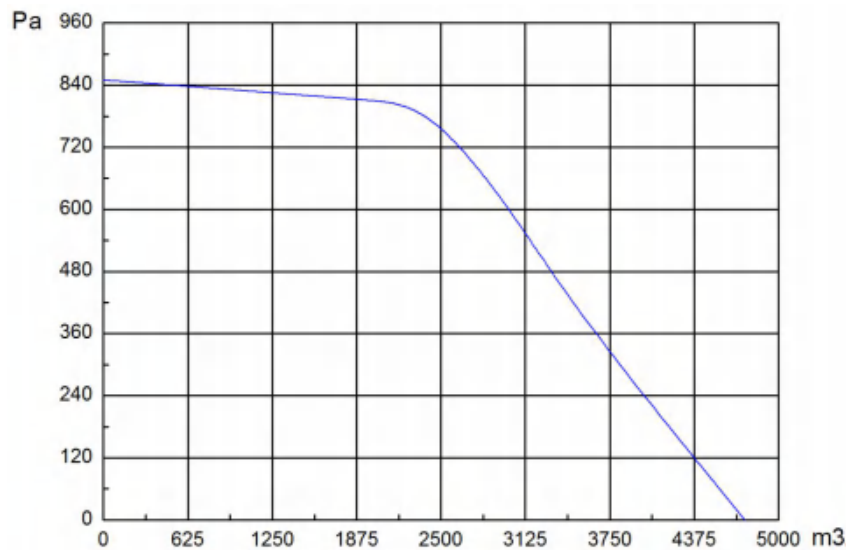
## ■ Technical Specification

Model	Bearing Type	Rated Voltage	Operating Voltage	Rated Current	Rated Power	Speed	Air Flow	Air Pressure	Noise
	B/S	V	V	A	W	RPM	m³/h	Pa	dBA
LWBE3G310-102NS-004	Ball	230	200-277	3	369	2300	2700	690	79



## EC CENTRIFUGAL FAN

LWBE3G310-137


**Motor Type :** BLEC Motor

**Impeller Material :** Aluminum Alloy

**Protection Class :** IP44

**Insulation Class :** F

**Certification :** CE/ETL/CCC

**Operation Temperature :** - 25 °C ~ +60 °C

**Bearing Type :** Ball Bearing

**Technical Feature :**

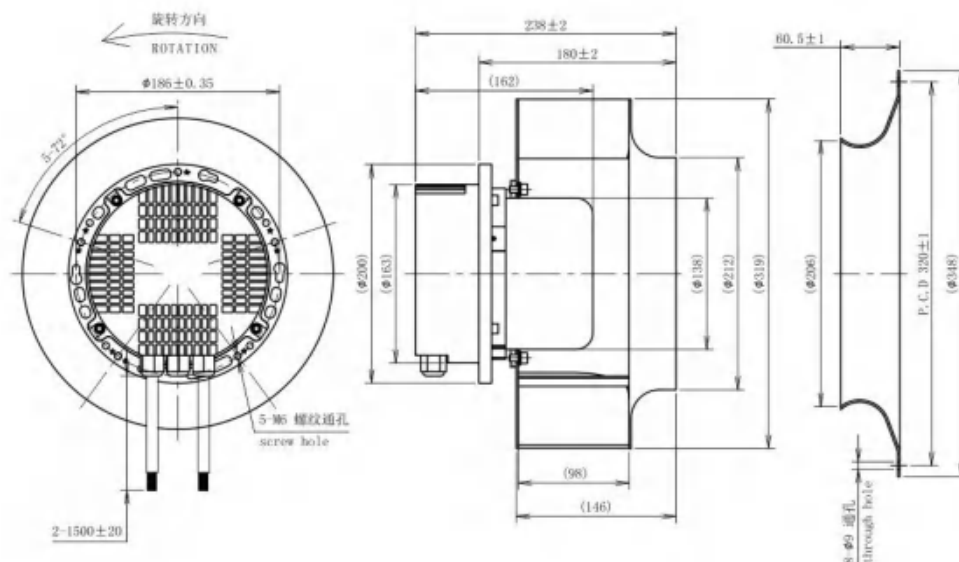
Control input 0~10VDC/PWM ,Tech output,Locked-Rotor protection ,

Reverse Polarity ,Over-voltage protection

Soft Start Protection,

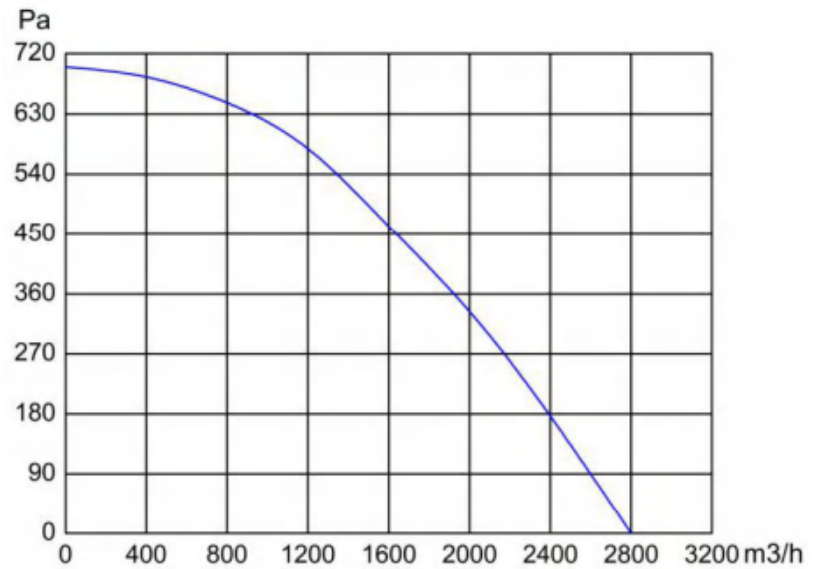
## ■ Technical Specification

Model	Bearing Type	Rated Voltage	Operating Voltage	Rated Current	Rated Power	Speed	Air Flow	Air Pressure	Noise
	B/S	V	V	A	W	RPM	m³/h	Pa	dBA
LWBE3G310-137NS-005	Ball	3~380	/	1.64	980	2600	4750	850	74



## EC CENTRIFUGAL FAN

LWBE3G355-102


**Motor Type :** BLEC Motor

**Impeller Material :** Aluminum Alloy

**Protection Class :** IP44

**Insulation Class :** F

**Certification :** CE/ETL/CCC

**Operation Temperature :** - 25 °C ~ +60 °C

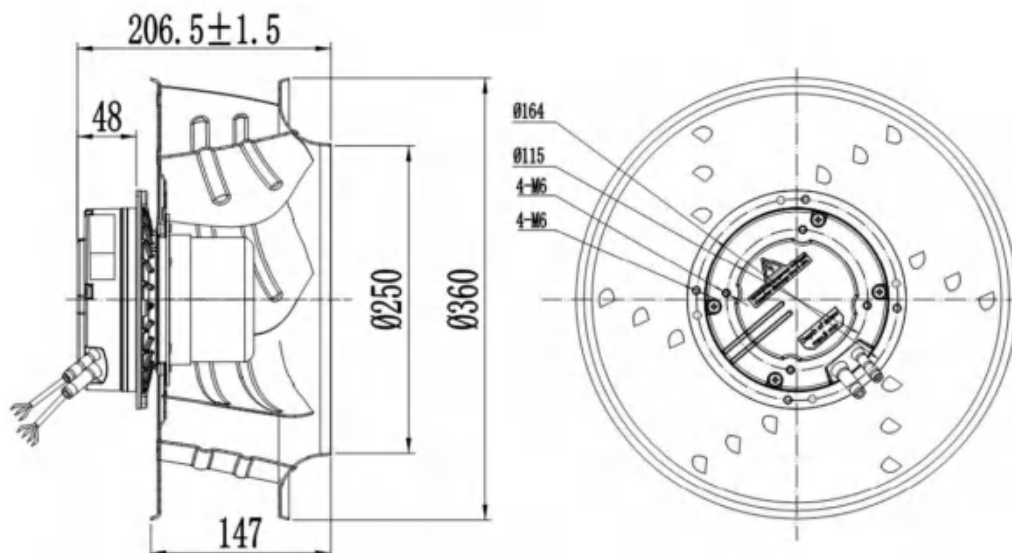
**Bearing Type :** Ball Bearing

**Technical Feature :**

 Control input 0~10VDC/PWM ,Tech output,Locked-Rotor protection ,  
 Reverse Polarity ,Over-voltage protection  
 Soft Start Protection,

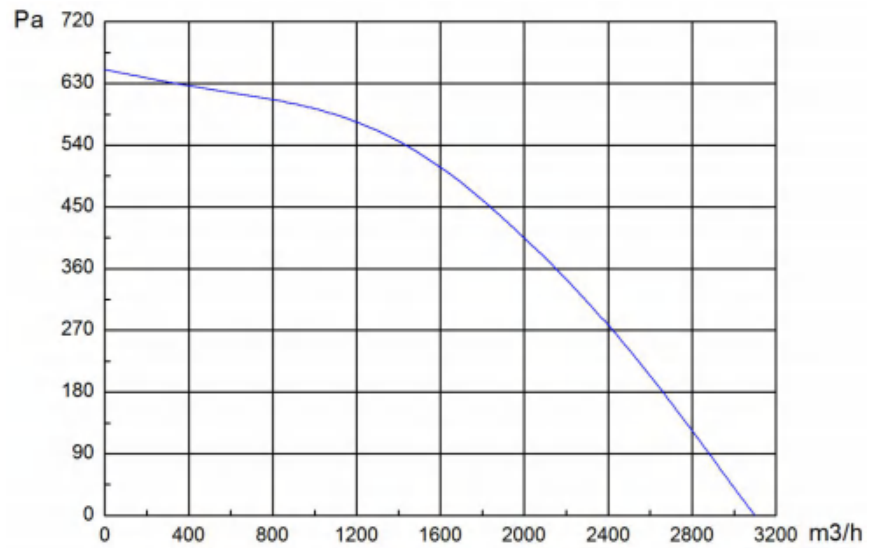
## ■ Technical Specification

Model	Bearing Type	Rated Voltage	Operating Voltage	Rated Current	Rated Power	Speed	Air Flow	Air Pressure	Noise
	B/S	V	V	A	W	RPM	m³/h	Pa	dBA
LWBE3G355-102NS-001	Ball	230	200-277	2	240	1970	2800	700	76



## EC CENTRIFUGAL FAN

LWBE3G355-102


**Motor Type :** BLEC Motor

**Impeller Material :** Aluminum Alloy

**Protection Class :** IP44

**Insulation Class :** F

**Certification :** CE/ETL/CCC

**Operation Temperature :** - 25 °C ~ +60 °C

**Bearing Type :** Ball Bearing

**Technical Feature :**

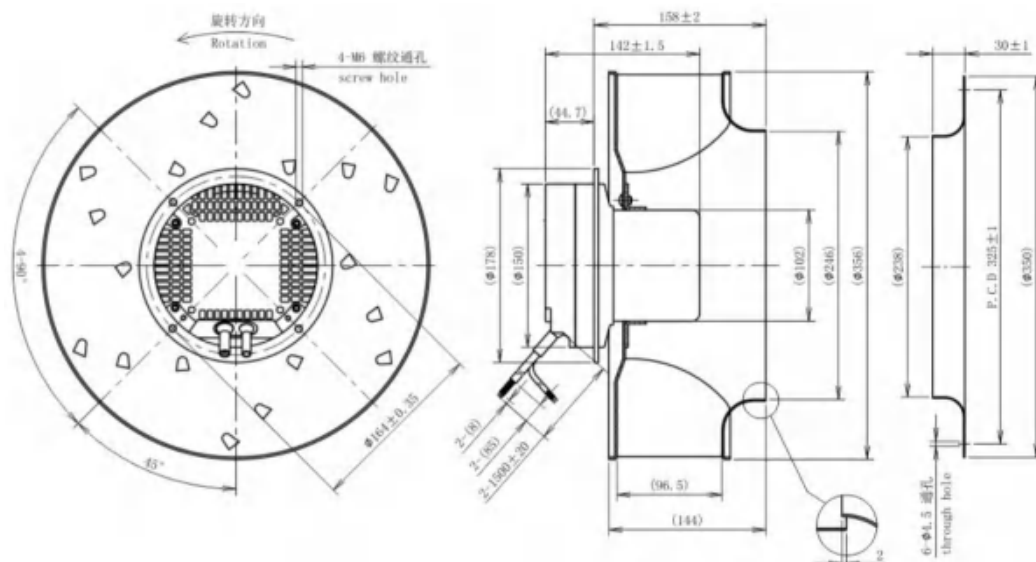
Control input 0~10VDC/PWM ,Tech output,Locked-Rotor protection ,

Reverse Polarity ,Over-voltage protection

Soft Start Protection,

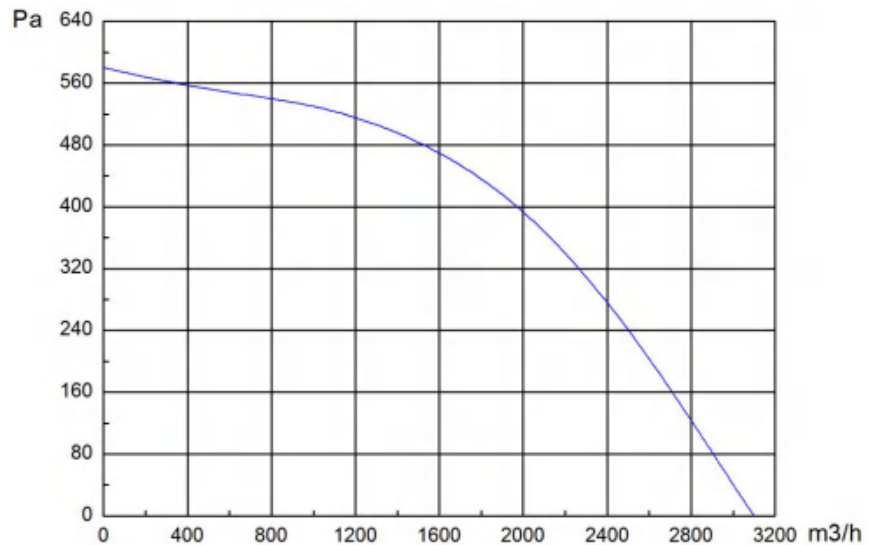
## ■ Technical Specification

Model	Bearing Type	Rated Voltage	Operating Voltage	Rated Current	Rated Power	Speed	Air Flow	Air Pressure	Noise
	B/S	V	V	A	W	RPM	m³/h	Pa	dBA
LWBE3G355-102NS-002	Ball	230	200-277	1.5	330	1900	3100	650	77



## EC CENTRIFUGAL FAN

LWBE3G355-102


**Motor Type :** BLEC Motor

**Impeller Material :** Aluminum Alloy

**Protection Class :** IP44

**Insulation Class :** F

**Certification :** CE/ETL/CCC

**Operation Temperature :** - 25 °C ~ +60 °C

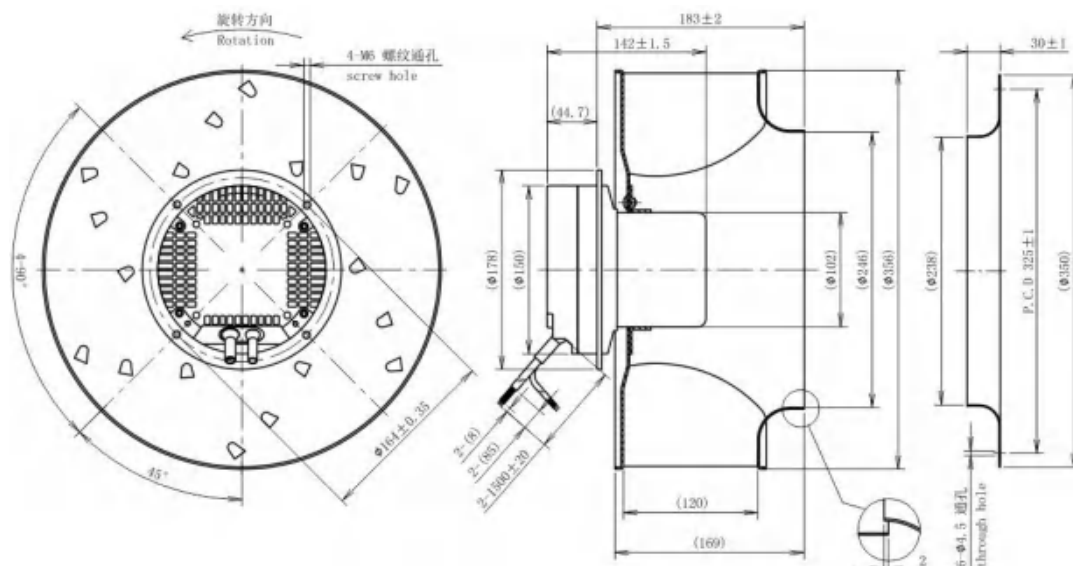
**Bearing Type :** Ball Bearing

**Technical Feature :**

 Control input 0~10VDC/PWM ,Tech output,Locked-Rotor protection ,  
 Reverse Polarity ,Over-voltage protection  
 Soft Start Protection,

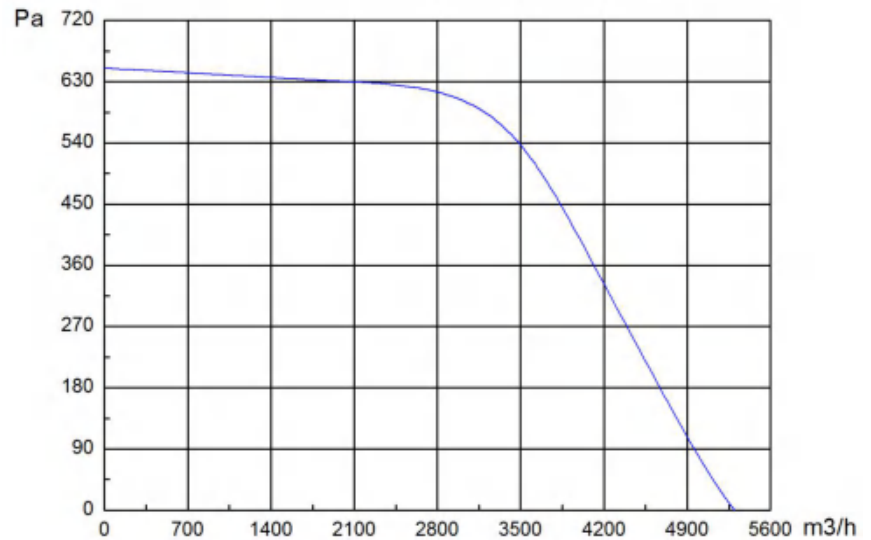
## ■ Technical Specification

Model	Bearing Type	Rated Voltage	Operating Voltage	Rated Current	Rated Power	Speed	Air Flow	Air Pressure	Noise
	B/S	V	V	A	W	RPM	m³/h	Pa	dBA
LWBE3G355-102NS-003	Ball	230	200-277	1.4	310	1750	3100	580	73



## EC CENTRIFUGAL FAN

LWBE3G355-137


**Motor Type :** BLEC Motor

**Impeller Material :** Aluminum Alloy

**Protection Class :** IP44

**Insulation Class :** F

**Certification :** CE/ETL/CCC

**Operation Temperature :** - 25 °C ~ +60 °C

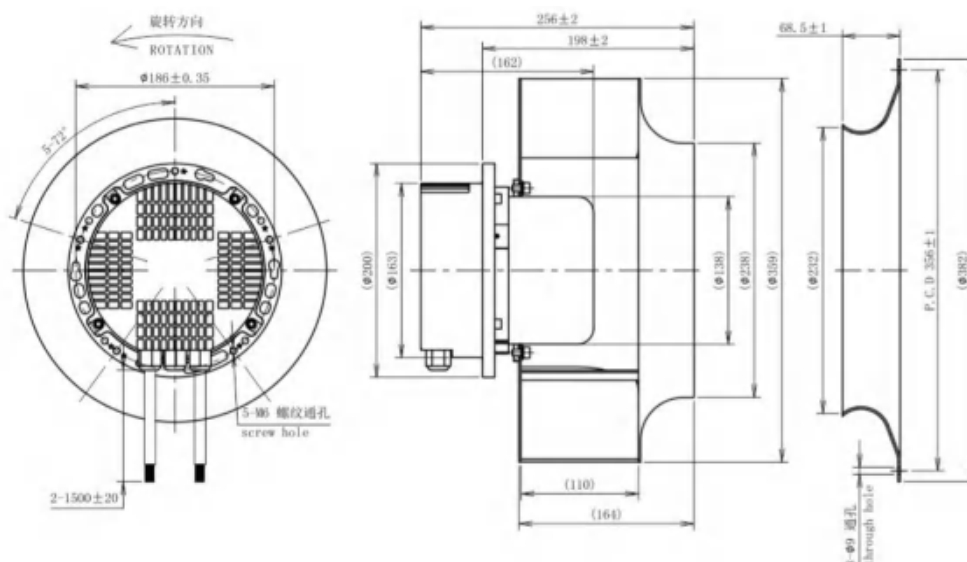
**Bearing Type :** Ball Bearing

**Technical Feature :**

 Control input 0~10VDC/PWM ,Tech output,Locked-Rotor protection ,  
 Reverse Polarity ,Over-voltage protection  
 Soft Start Protection,

## ■ Technical Specification

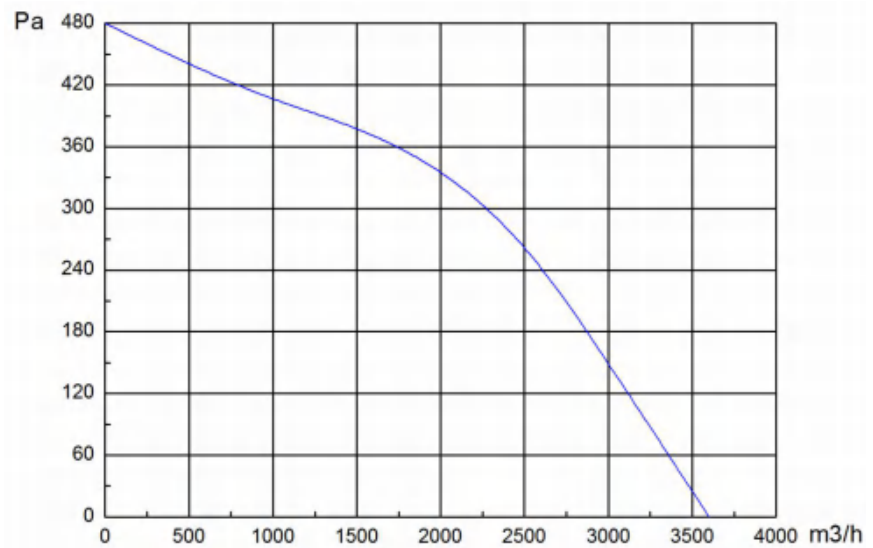
Model	Bearing Type	Rated Voltage	Operating Voltage	Rated Current	Rated Power	Speed	Air Flow	Air Pressure	Noise
	B/S	V	V	A	W	RPM	m³/h	Pa	dB(A)
LWBE3G355-137NS-004	Ball	3~380	/	1.63	990	2100	5300	650	79





## EC CENTRIFUGAL FAN

LWBE3G400-102


**Motor Type :** BLEC Motor

**Impeller Material :** Aluminum Alloy

**Protection Class :** IP44

**Insulation Class :** F

**Certification :** CE/ETL/CCC

**Operation Temperature :** - 25 °C ~ +60 °C

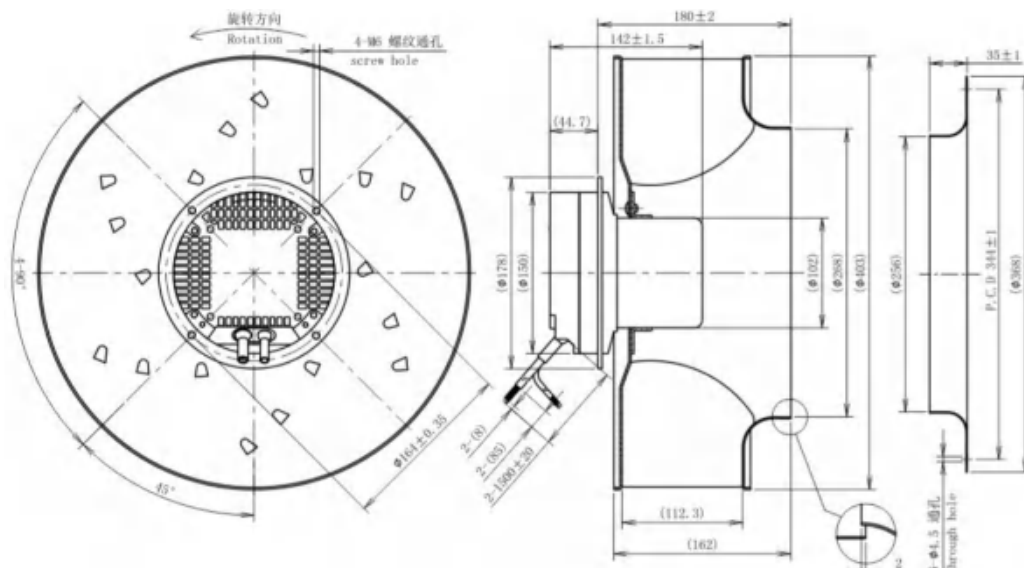
**Bearing Type :** Ball Bearing

**Technical Feature :**

 Control input 0~10VDC/PWM ,Tech output,Locked-Rotor protection ,  
 Reverse Polarity ,Over-voltage protection  
 Soft Start Protection,

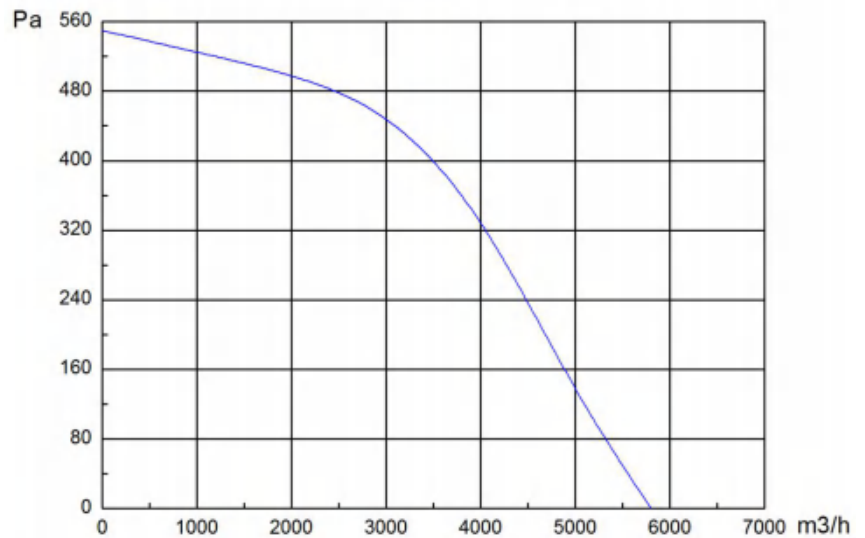
## ■ Technical Specification

Model	Bearing Type	Rated Voltage	Operating Voltage	Rated Current	Rated Power	Speed	Air Flow	Air Pressure	Noise
	B/S	V	V	A	W	RPM	m³/h	Pa	dBA
LWBE3G400-102NS-002	Ball	230	200-277	1.5	330	1430	3600	480	69



## EC CENTRIFUGAL FAN

LWBE3G400-137


**Motor Type :** BLEC Motor

**Impeller Material :** Aluminum Alloy

**Protection Class :** IP44

**Insulation Class :** F

**Certification :** CE/ETL/CCC

**Operation Temperature :** - 25 °C ~ +60 °C

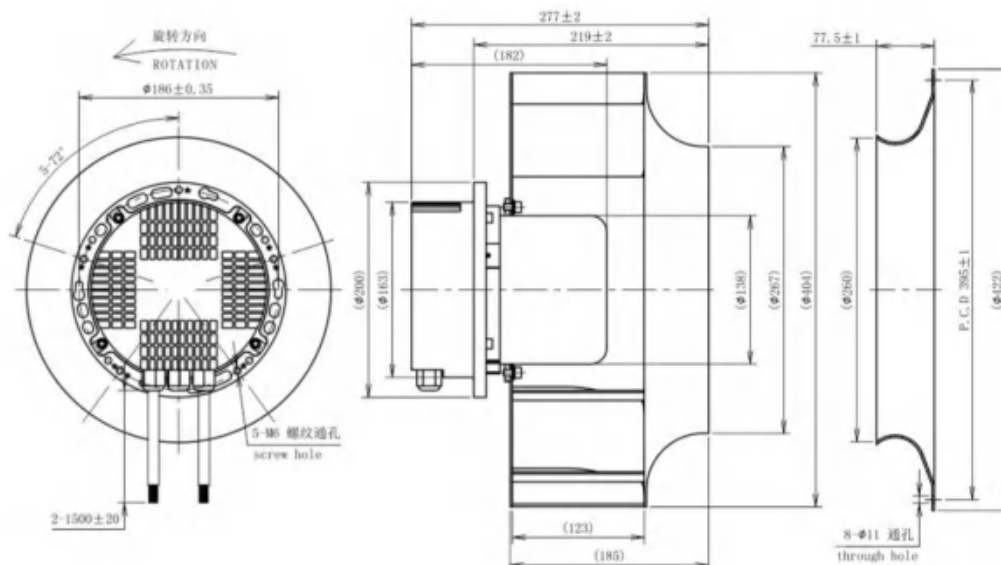
**Bearing Type :** Ball Bearing

**Technical Feature :**

 Control input 0~10VDC/PWM ,Tech output,Locked-Rotor protection ,  
 Reverse Polarity ,Over-voltage protection  
 Soft Start Protection,

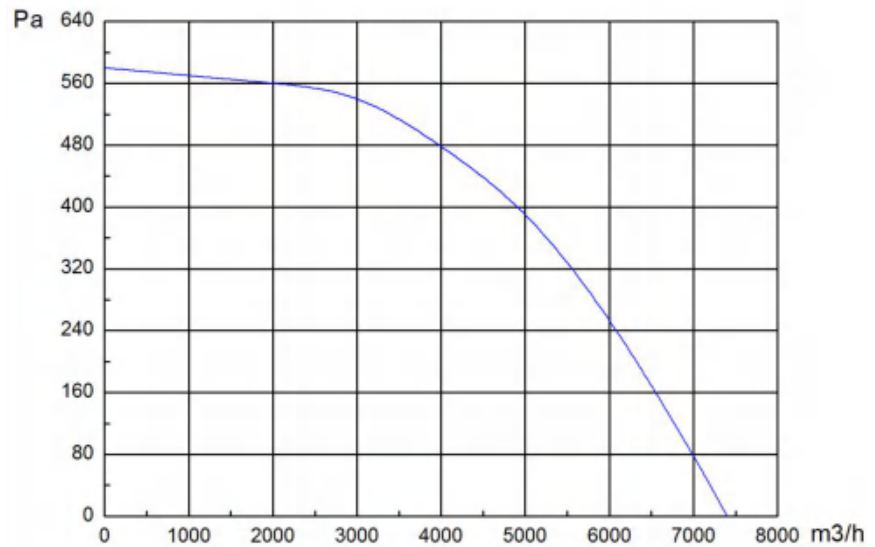
## ■ Technical Specification

Model	Bearing Type	Rated Voltage	Operating Voltage	Rated Current	Rated Power	Speed	Air Flow	Air Pressure	Noise
	B/S	V	V	A	W	RPM	m³/h	Pa	dB(A)
LWBE3G400-137NS-003	Ball	380	/	1.22	725	1550	5800	550	73



## EC CENTRIFUGAL FAN

LWBE3G450-137


**Motor Type :** BLEC Motor

**Impeller Material :** Aluminum Alloy

**Protection Class :** IP44

**Insulation Class :** F

**Certification :** CE/ETL/CCC

**Operation Temperature :** - 25 °C ~ +60 °C

**Bearing Type :** Ball Bearing

**Technical Feature :**

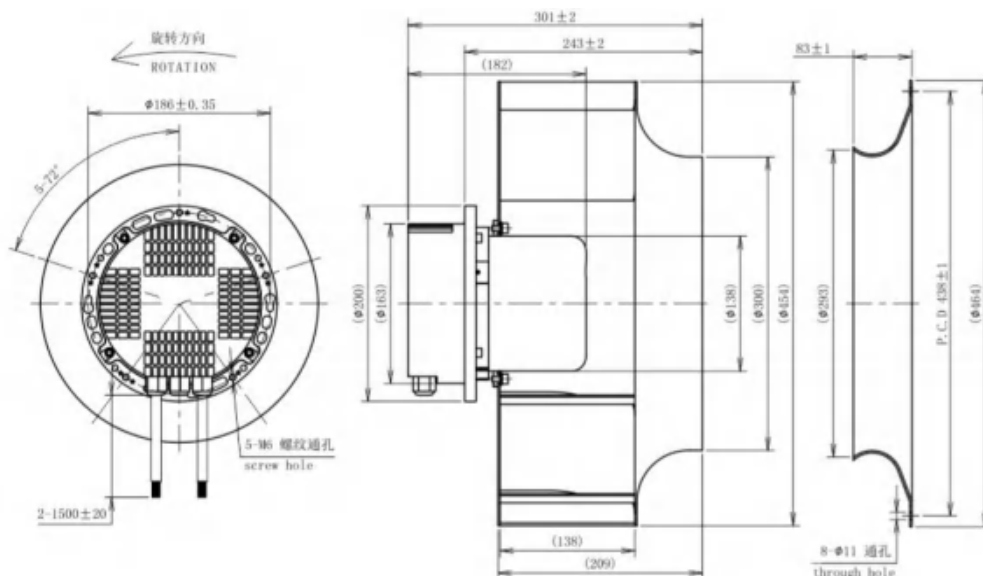
Control input 0~10VDC/PWM ,Tech output,Locked-Rotor protection ,

Reverse Polarity ,Over-voltage protection

Soft Start Protection,

## ■ Technical Specification

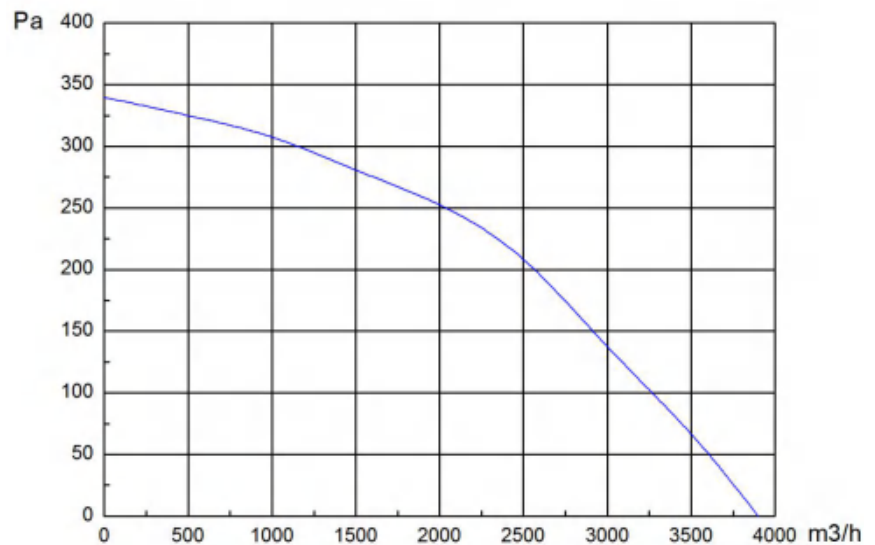
Model	Bearing Type	Rated Voltage	Operating Voltage	Rated Current	Rated Power	Speed	Air Flow	Air Pressure	Noise
	B/S	V	V	A	W	RPM	m³/h	Pa	dB(A)
LWBE3G450-137NS-001	Ball	380	/	1.67	1000	1450	7400	580	73





## EC CENTRIFUGAL FAN

LWBE3G470-102


**Motor Type :** BLEC Motor

**Impeller Material :** Sheet Steel

**Protection Class :** IP44

**Insulation Class :** F

**Certification :** CE/ETL/CCC

**Operation Temperature :** - 25 °C ~ +60 °C

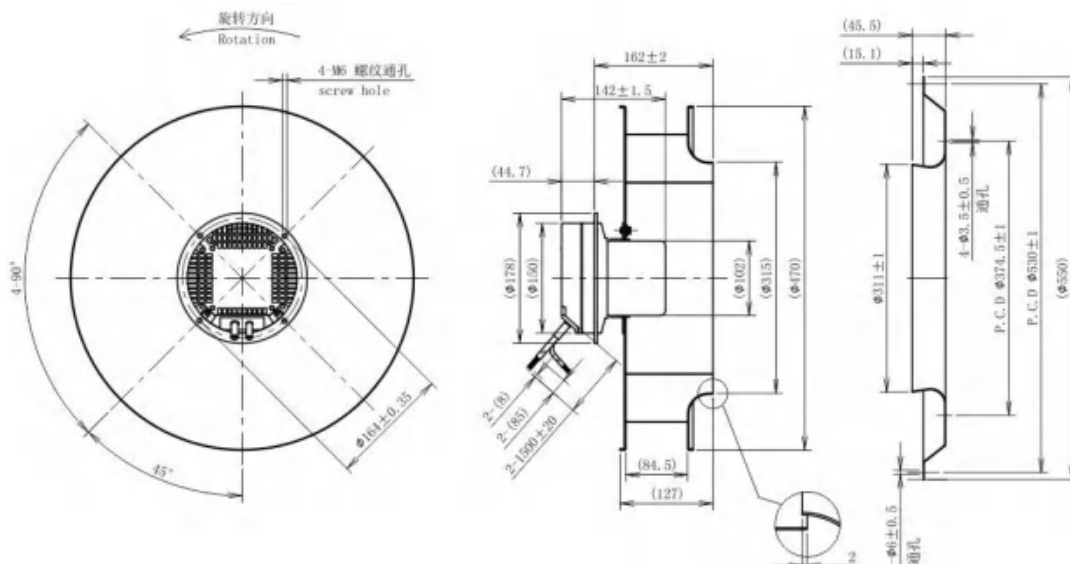
**Bearing Type :** Ball Bearing

**Technical Feature :**

 Control input 0~10VDC/PWM ,Tech output,Locked-Rotor protection ,  
 Reverse Polarity ,Over-voltage protection  
 Soft Start Protection,

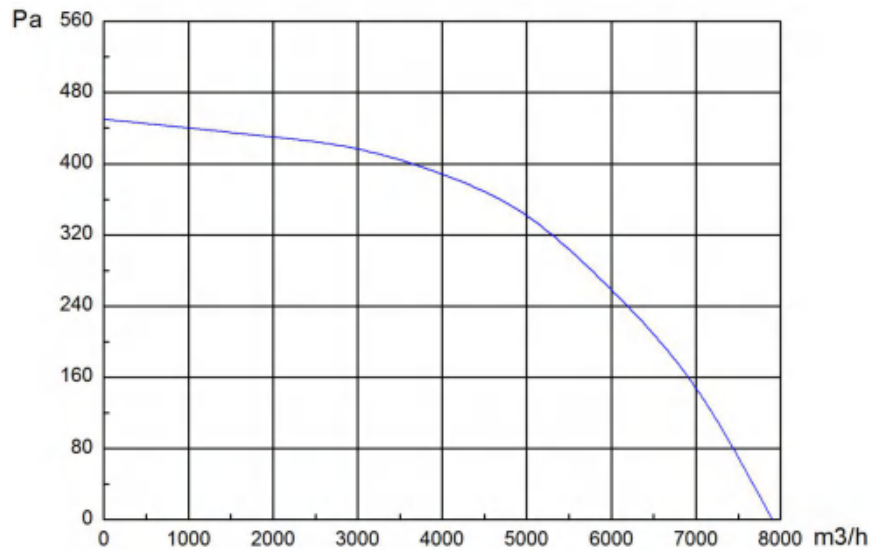
## ■ Technical Specification

Model	Bearing Type	Rated Voltage	Operating Voltage	Rated Current	Rated Power	Speed	Air Flow	Air Pressure	Noise
	B/S	V	V	A	W	RPM	m³/h	Pa	dB(A)
LWBE3G470-102NS-002	Ball	230	200-277	0.85	185	1100	3800	340	69



EC CENTRIFUGAL FAN

LWBE3G500-137



**Motor Type :** BLEC Motor

**Impeller Material :** Aluminum Alloy

**Protection Class :** IP44

**Insulation Class :** F

**Certification :** CE/ETL/CCC

**Operation Temperature :** - 25 °C ~ +60 °C

**Bearing Type :** Ball Bearing

**Technical Feature :**

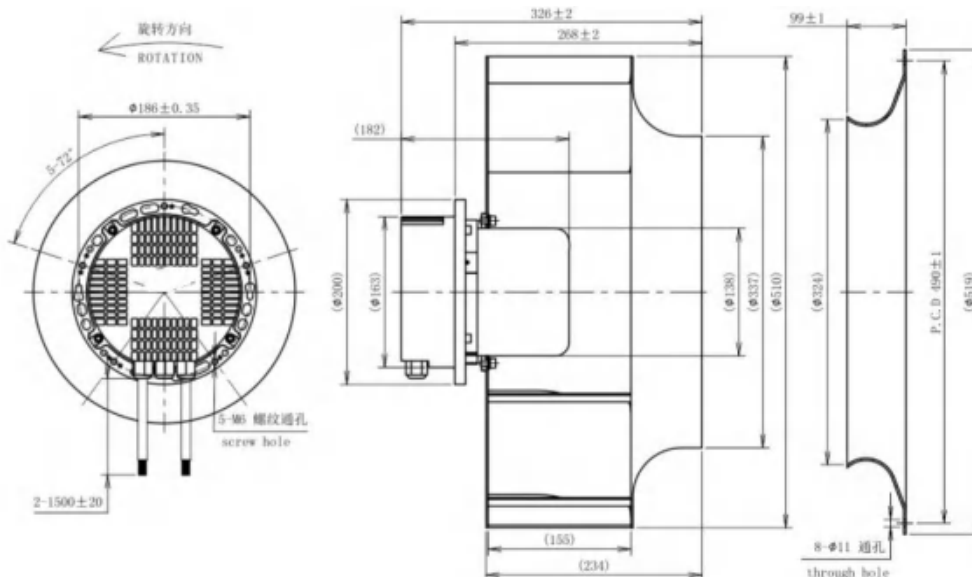
Control input 0~10VDC/PWM ,Tech output,Locked-Rotor protection ,

Reverse Polarity ,Over-voltage protection

Soft Start Protection,

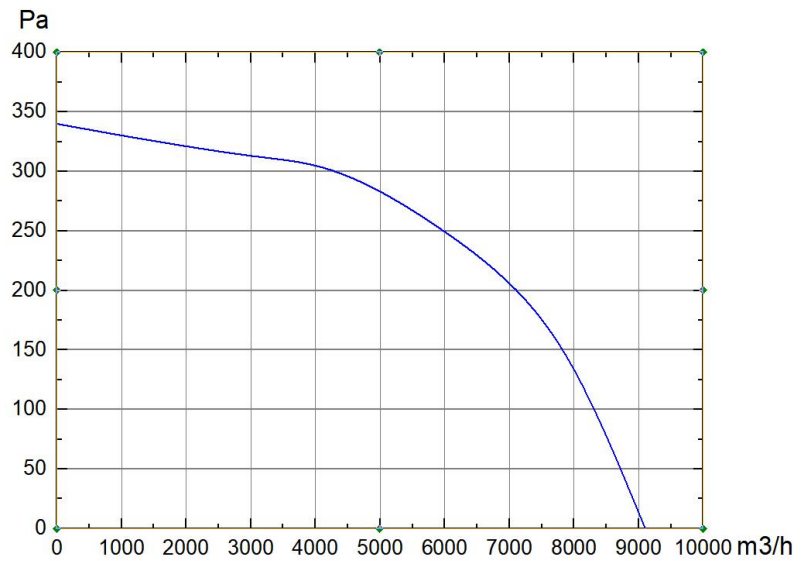
■ Technical Specification

Model	Bearing Type	Rated Voltage	Operating Voltage	Rated Current	Rated Power	Speed	Air Flow	Air Pressure	Noise
	B/S	V	V	A	W	RPM	m³/h	Pa	dB(A)
LWBE3G500-137NS-001	Ball	380	/	1.46	870	1100	7800	450	71



## EC CENTRIFUGAL FAN

LWBE3G560-137


**Motor Type :** BLEC Motor

**Impeller Material :** Aluminum Alloy

**Protection Class :** IP44

**Insulation Class :** F

**Certification :** CE/ETL/CCC

**Operation Temperature :** - 25 °C ~ +60 °C

**Bearing Type :** Ball Bearing

**Technical Feature :**

Control input 0~10VDC/PWM ,Tech output,Locked-Rotor protection ,

Reverse Polarity ,Over-voltage protection

Soft Start Protection,

## ■ Technical Specification

Model	Bearing Type	Rated Voltage	Operating Voltage	Rated Current	Rated Power	Speed	Air Flow	Air Pressure	Noise
	B/S	V	V	A	W	RPM	m³/h	Pa	dBA
LWBE3G560-137NS-001	Ball	380	/	0.3	770	850	9100	320	69

